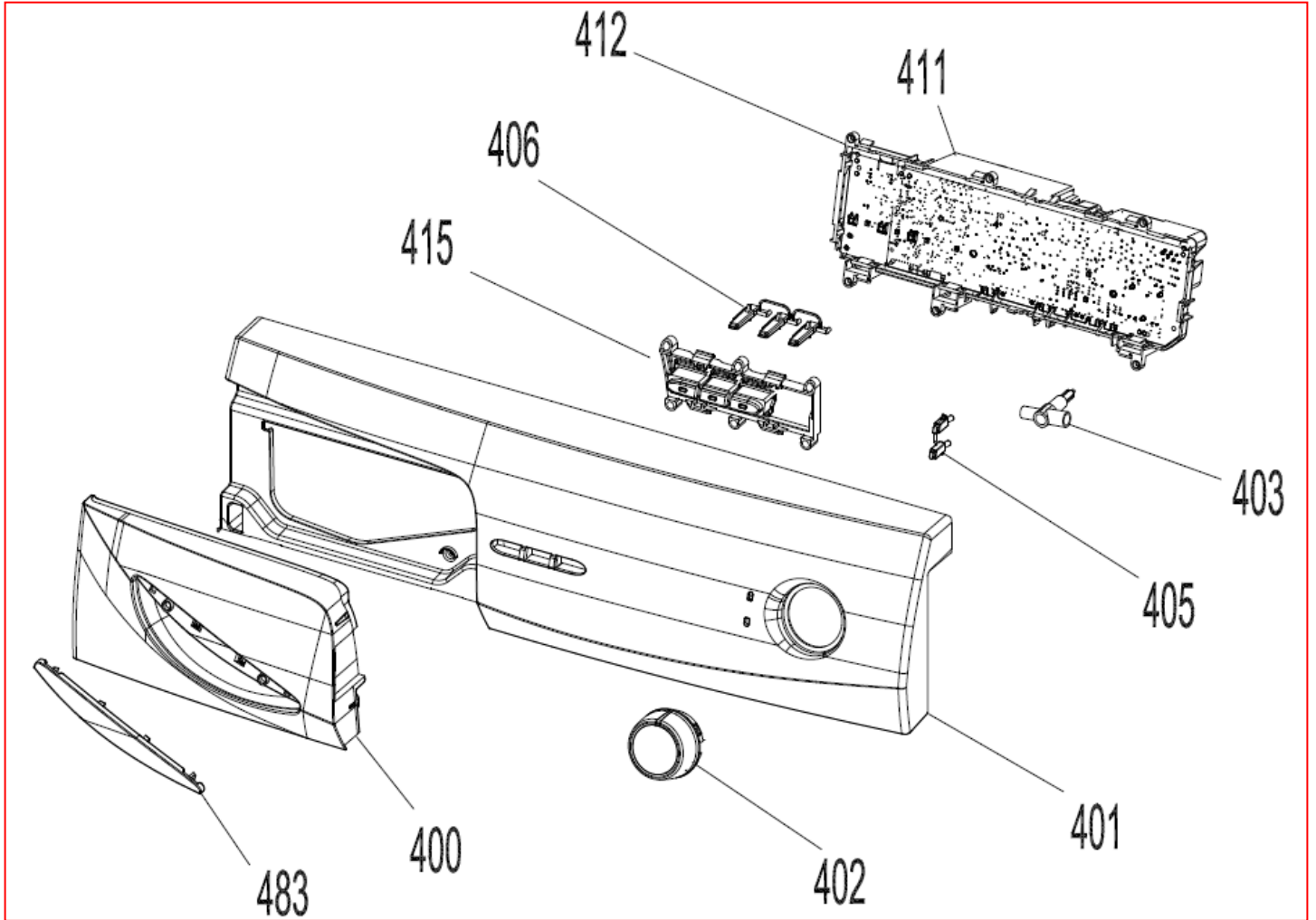
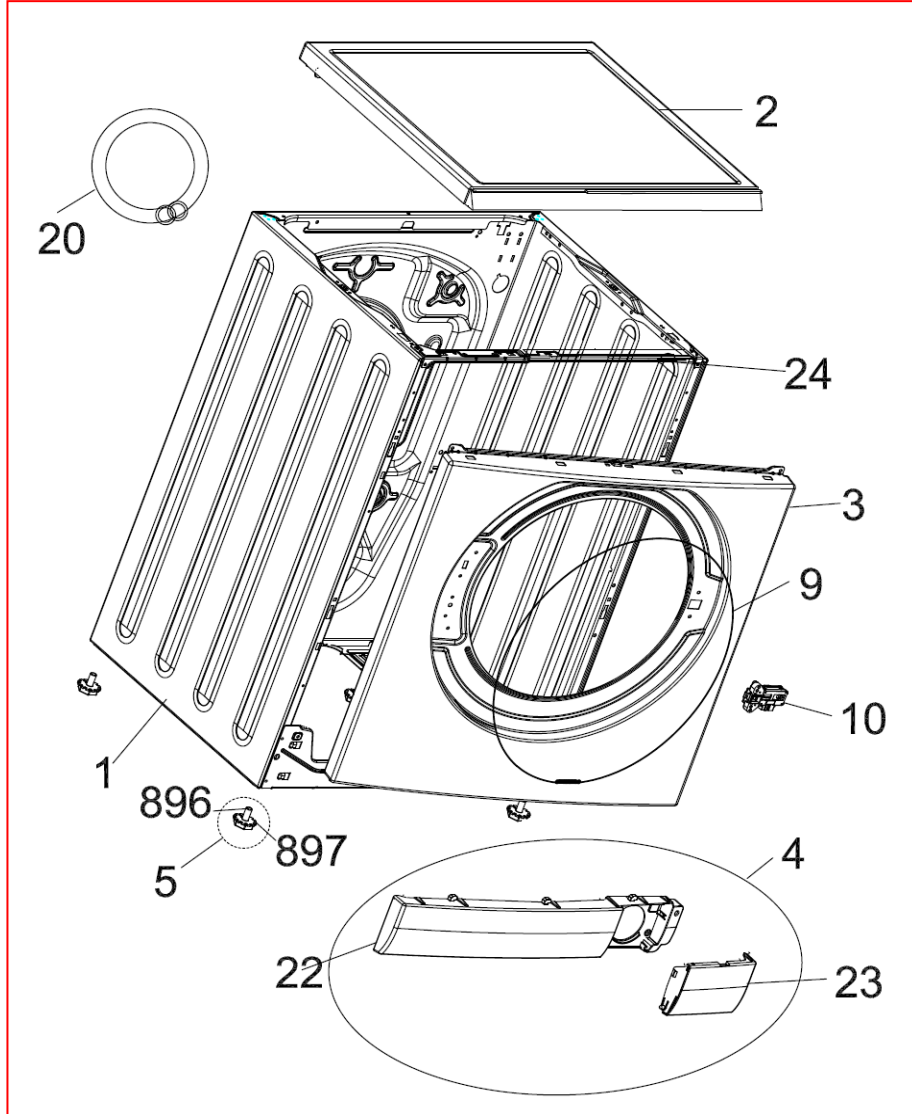


**CONTROL PANEL PARTS**



NO	PART NAME	QUANTITY
400	DETERGENT DRAWER COVER	1
401	CON.PAN.WITH SRGF	1
402	PROGRAM ADJ. KNOB GR	1
403	PROGRAMME ADJUSTMENT SHAFT	1
405	LIGHT GUIDE DUO	1
406	LIGHT GUIDE TRIO	1
411	PCB BOX	1
412	ELECTRONIC CARD-W.FOIL	1
415	SELECTION BUTTON TRIO	1
483	DETERGENT DRAWER COVER INSERT	1
500	CONTROL PANEL GROUP ( indicated for the website)	1

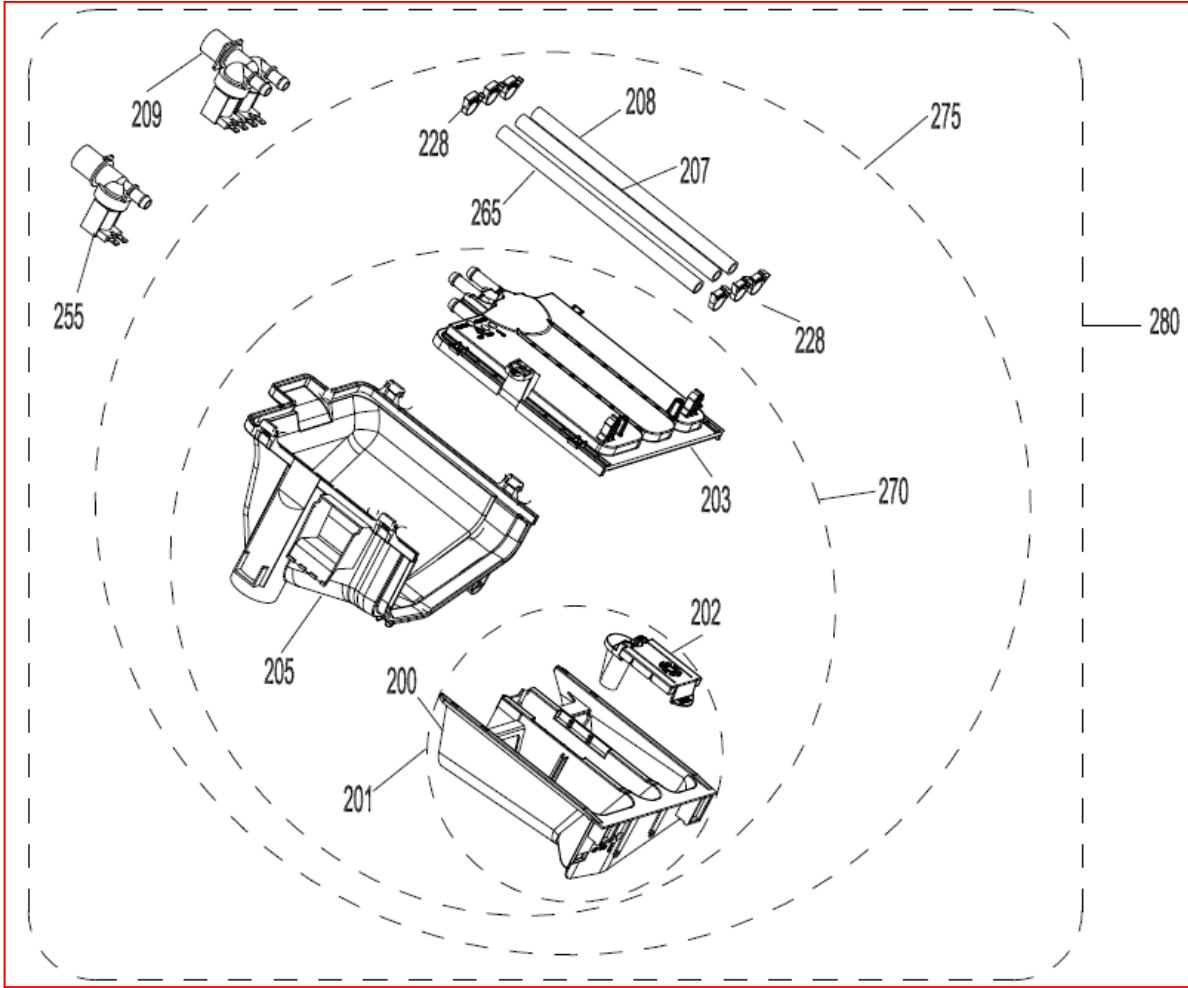
**FRONT PANEL PARTS**



NO	PART NAME	QUANTITY
1	BODY GROUP PAINTED	1
2	UPPER TRAY GROUP	1
3	FRONT PANEL GROUP	1
4	PLINTH GROUP (includes 22+23)	1
5	ADJUSTABLE FEET	4
9	BODY-GASKET CLAMP	1
10	DOOR LOCK	1
20	WATER ENTRY HOSE GROUP	1
22	PLINTH	1
23	PLINTH COVER	1
24	UPPER SUPPORT BRAKET	1
896	SCREW M10*30	4
897	ADJUSTED FOOT ADJUST STAMP PLS.	4



**DETERGENT DRAWER GROUP**



(255-265-FOR DOUBLE WATER INLET WASHERS)

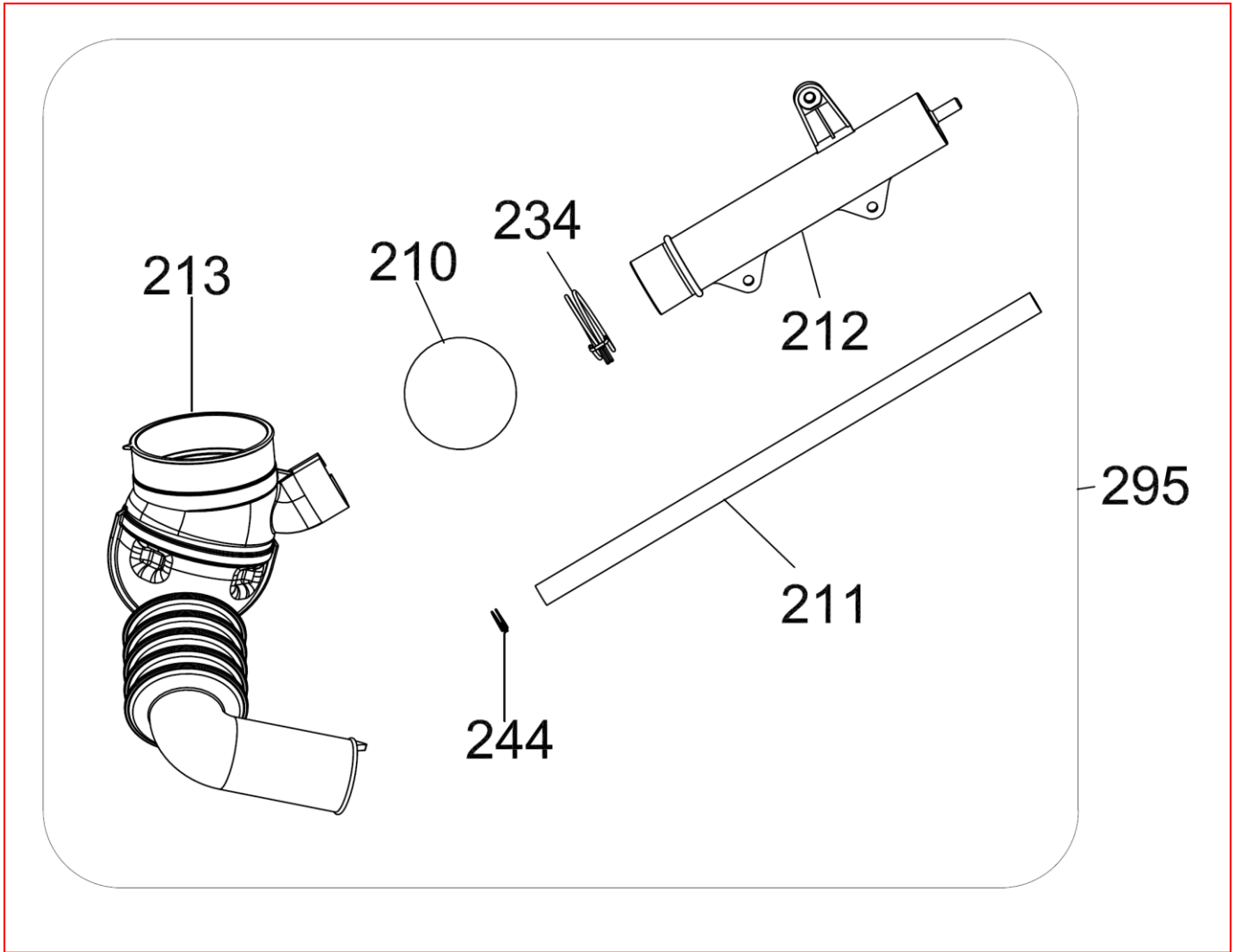
NO	PART NAME	QUANTITY
203	WATER DISTRIBUTION PLATE GROUP	1
205	DETERGENT DRAWER HOUSING	1
200	DETERGENT DRAWER	1
201	DET.DRAWER/3-SIPHON COVER/3 GR	1
202	SIPHON COVER	1
228	PLASTIC HOSE CLAMP	6
207	VALVE-DETERGENT BOX HOSE	1
208	VALVE-DETERGENT BOX HOSE	1
265	VALVE-DETERGENT BOX HOSE	1
209	VALVE(TWO EXIT)	1
255	VALVE(ONE EXIT)	1
270	DETERGENT BOX GROUP	1
275	DETERGENT BOX GROUP/HOSE	1
280	DETERGENT BOX GROUP/FULL	1

203-205-200-202-204-..... DETERGENT BOX GROUP

203-205-200-202-204-228-207-208..... DETERGENT BOX GROUP/HOSE

203-205-200-202-204-228-207-208-209..... DETERGENT BOX GROUP/FULL

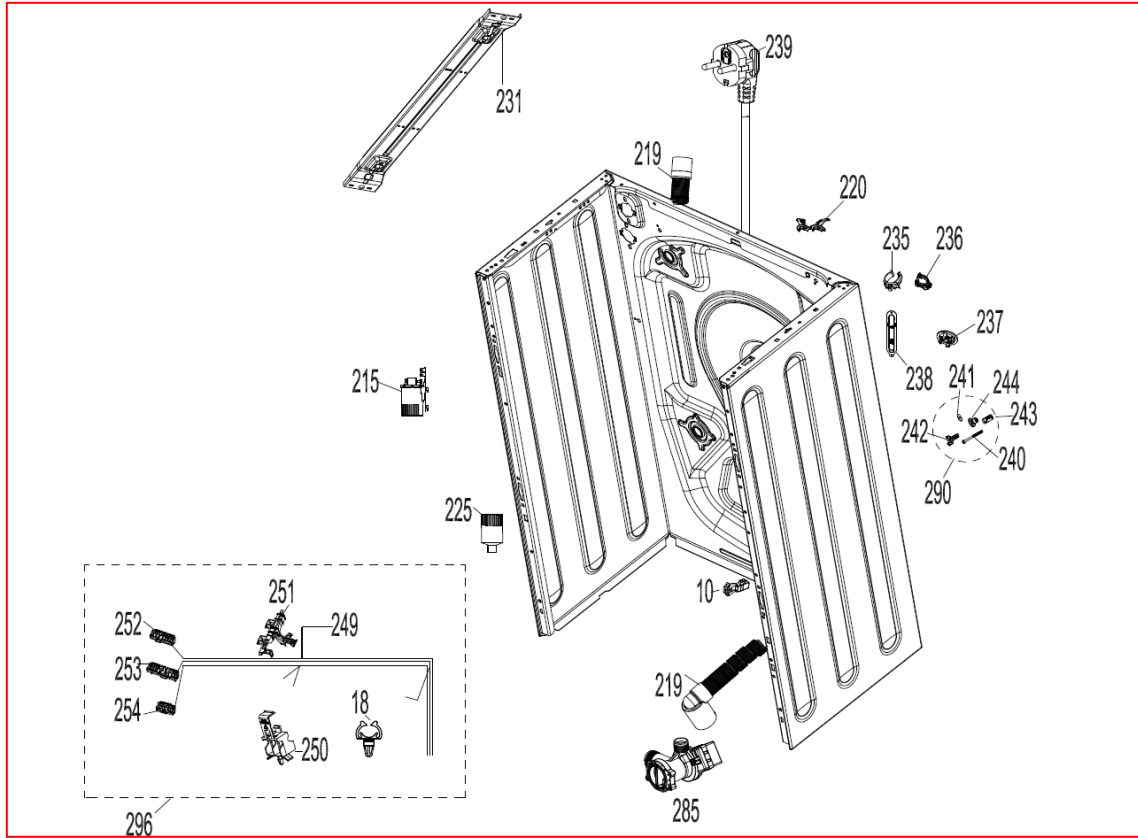
**PRESSURE SWITCH HOSE GROUP**



NO	PART NAME	QUANTITY
210	TUB EXIT BELLOW HOSE BALL	1
213	TUB EXIT WITH BELLOW HOSE	1
212	PRESSURE SWITCH WATER RESERVOIR	1
211	PRESSURE SWITCH HOSE	1
234	HOSE CLAMP Ø32,7	1
244	HOSE CLAMP Ø9,6	1
295	PRESSURE SWITCH HOSE GROUP	1

213-212-211-234-244----- PRESSURE SWITCH HOSE GROUP

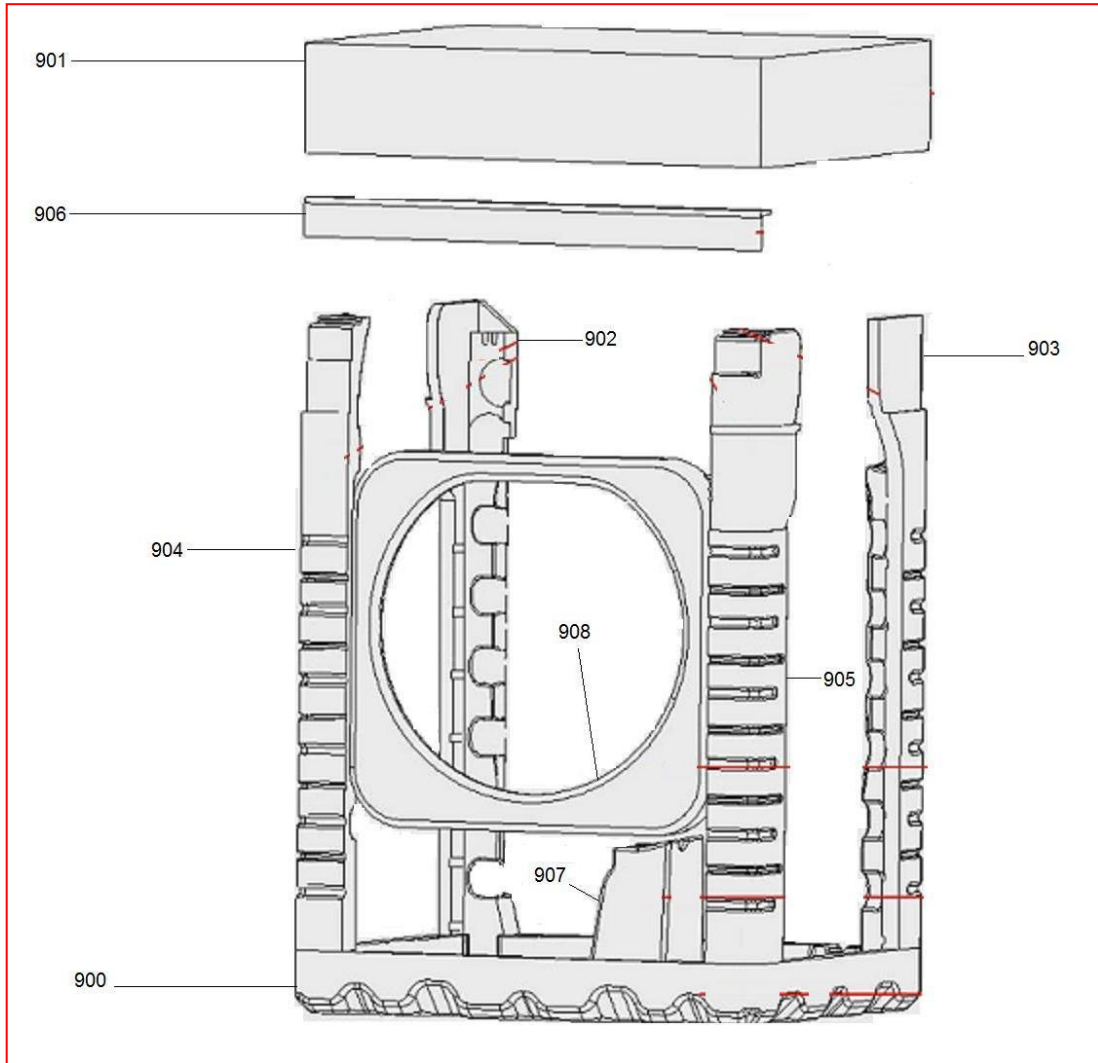
**BODY GROUP PARTS**



NO	PART NAME	QUANTITY
285	PUMP GROUP	1
220	DRAIN HOSE ROUTER PLASTIC	1
219	DRAIN HOSE	1
225	PRESSURE SWITCH	1
215	PARASITE FILTER	1
296	CABLE GROUP	1
249	CABLE HARNESS	1
250	CABLE HARNESS HOLDER PLS	1
251	CABLE HOLDER AND ROUTER PLASTIC-L	1
252	PCB BOX SOCKET HOLDER-S1	1
253	PCB BOX SOCKET HOLDER-S2	1
254	PCB BOX SOCKET HOLDER-S3	1
800	HANGER SPRING	2
221	HANGER SPRING SHEETIRON PLS.	2
231	SPRING HANGER SHEETIRON	1
236	DRAIN HOSE AND CABLE HOLDING PLS.	2
235	DRAIN HOSE HOLDING PLS	2
239	POWER CORD GROUP	1
222	PRESSURE SWITCH MOUNTING CLIP	1
238	SPEED CONTROL HOLE STOPPER	1
242	TRANSPORT SCREW PLASTIC A	4
243	TRANSPORT SCREW PLASTIC B	4
240	TRANSPORT SCREW	4
241	WASHER 8,6*36*2	4
231	TUB HANGER SPRING PART	1
237	TRANSPORT SCREW STOPPER	5
290	TRANSPORT SCREW GROUP	4
920	FRONT PANEL DROP FIXING PLASTIC	



**PACKAGING GROUP**



NO	PART NAME	QUANTITY
900	BOTTOM STYROFOAM	2
901	TOP CARTON	1
902	REAR STYROFOAM(LEFT)	1
903	REAR STYROFOAM(RIGHT)	1
904	FRONT STYROFOAM LEFT	1
905	FRONT STYROFOAM RIGHT	1
906	CORNER CARDBOARD	1
907	TUB SUPPORT STYROFOAM	1
908	PORTHOLE PRO. STYROFOAM	1



**ACCESSORIES**

995

996

997

998

NO	PART NAME	QUANTITY
995	ENERGY LABEL	1
996	LIQUID DETERGENT LEVEL PLATE	1
997	DRAIN HOSE COAT RACK	1
998	TRANSPORT SCREW STOPPER	4