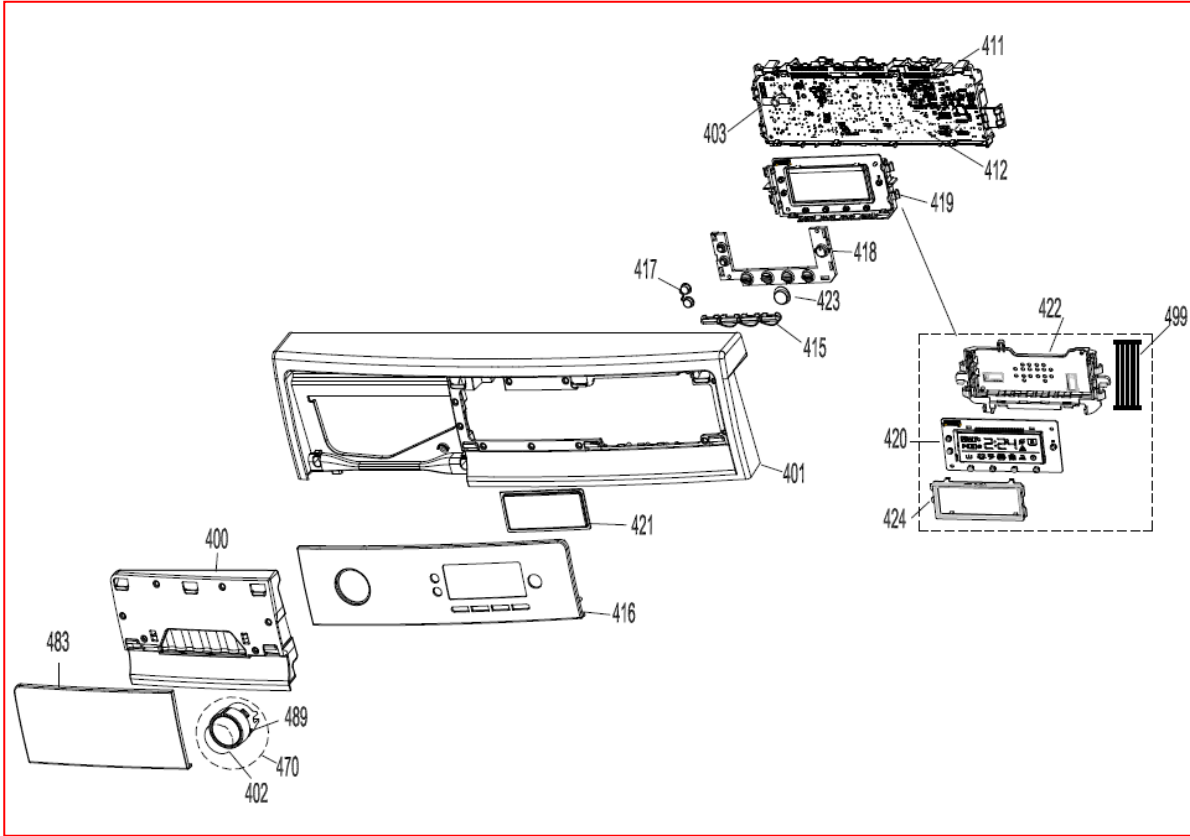
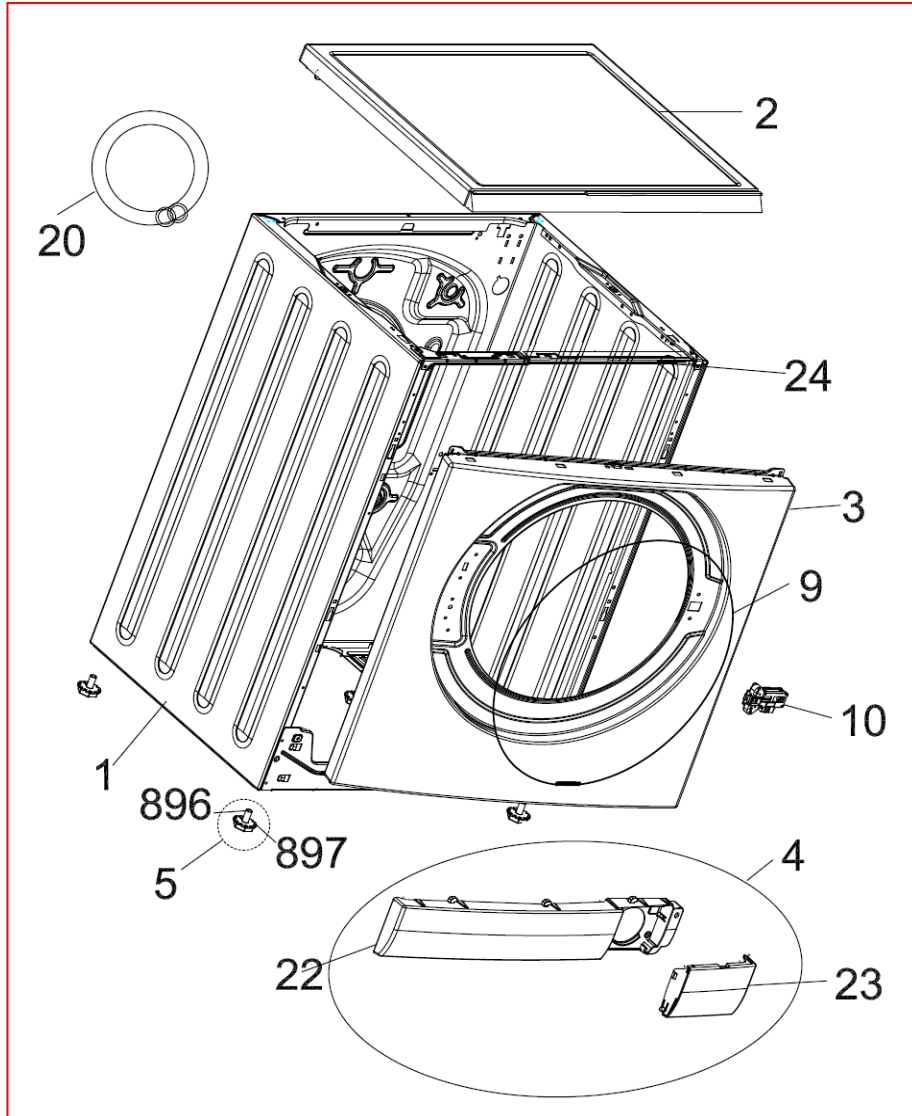


**CONTROL PANEL PARTS**



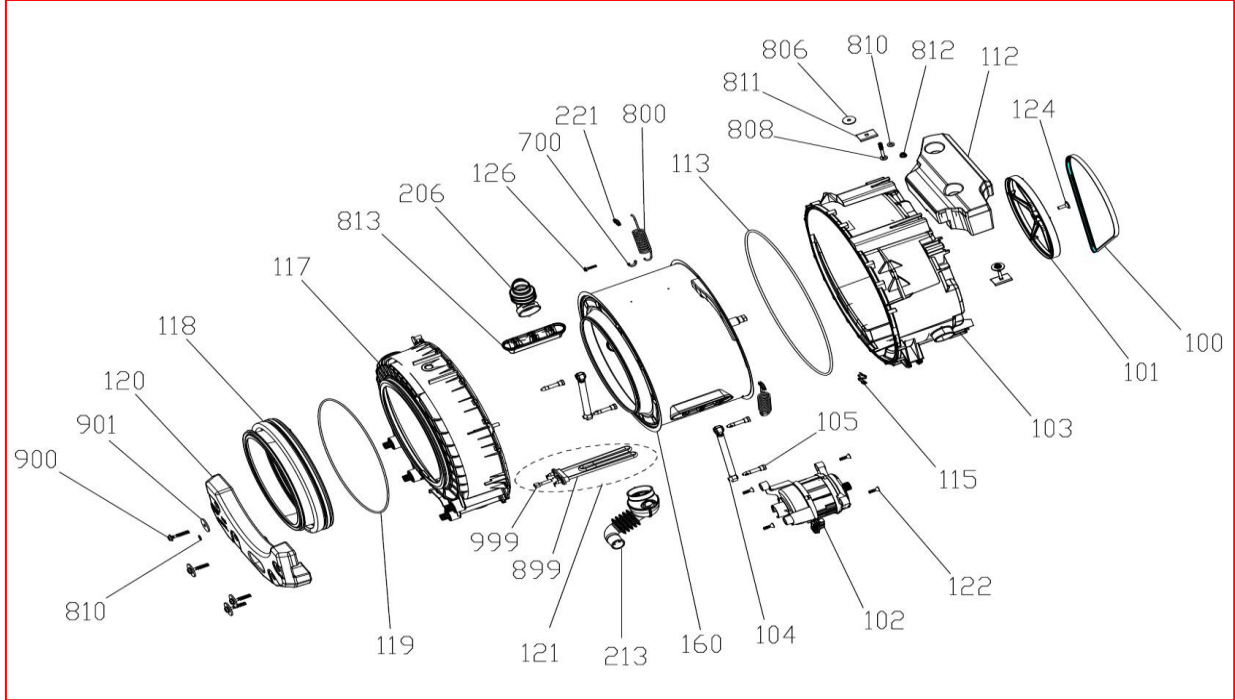
NO	PART NAME	QUANTITY
400	DETERGENT DRAWER COVER	1
401	CONTROL PANEL	1
402	PROGRAM SEL.KNOB COVER	1
403	PROGRAMME ADJUSTMENT SHAFT	1
412	ELECTRONIC CARD-W.FOIL	1
415	LCD FUNCTION SELECTION BUTTON	1
416	CON.PAN.INSERT	1
417	LCD TEMPERATURE SPIN SELECTION BUTTON	1
418	LCD SILICONE BUTTON BASE	1
419	LCD BOX GROUP	1
420	EL.CARD LCD	1
421	LCD GLASS	1
422	LCD PCB CARD BOX	1
423	LCD START PAUSE BUTTON	1
424	LCD FRAME	1
470	PR. ADJ.KNOB GR	1
483	DETERGENT DRAWER COVER INSERT	1
489	PROGRAM SELECTION KNOB BODY	1
499	LCD COMMUNICATION CABLE	1
500	CONTROL PANEL GROUP ( indicated for the website)	1

**FRONT PANEL PARTS**



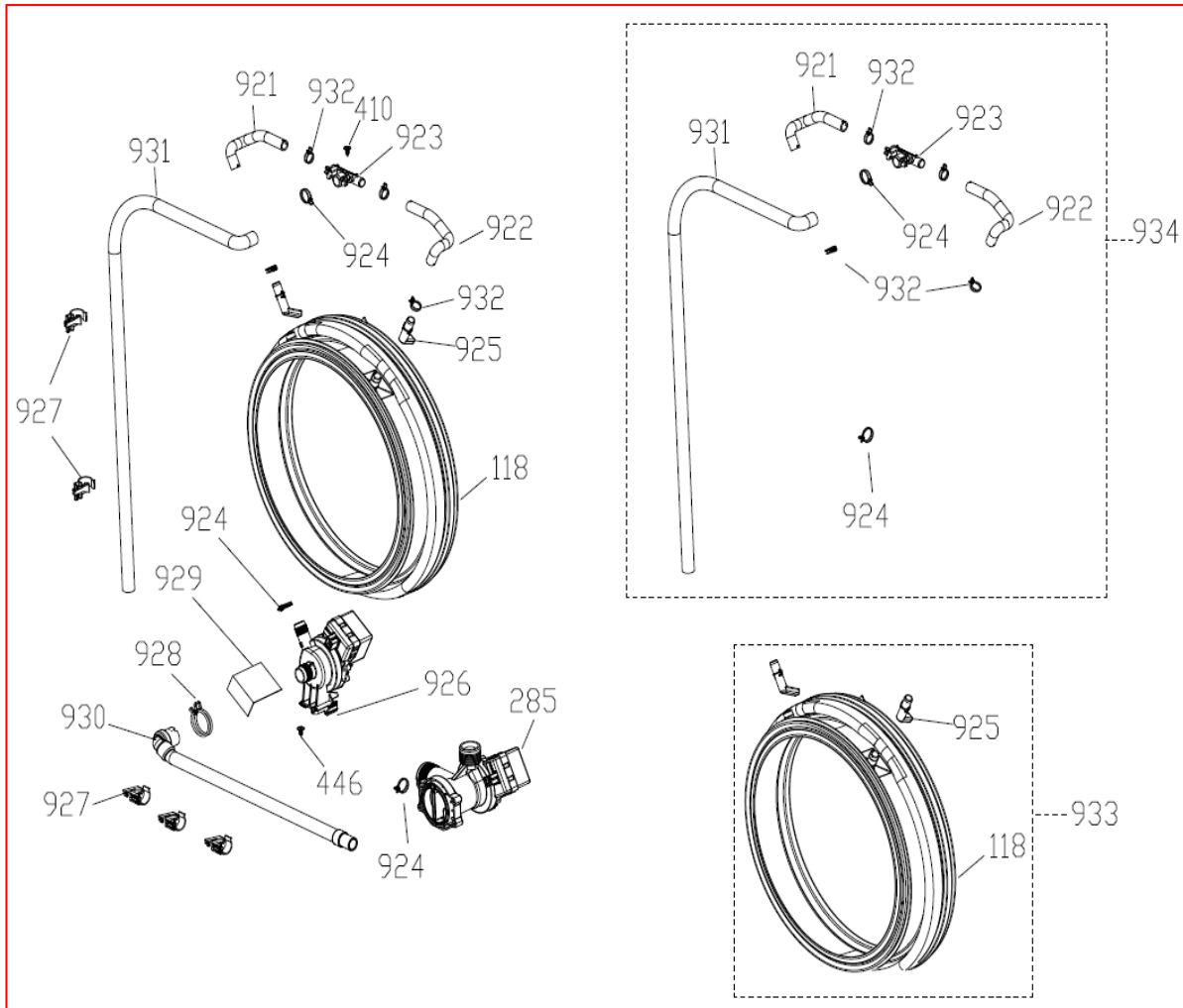
NO	PART NAME	QUANTITY
1	BODY GROUP PAINTED	1
2	UPPER TRAY GROUP	1
3	FRONT PANEL GROUP	1
4	PLINTH GROUP (includes 22+23)	1
5	ADJUSTABLE FEET	4
9	BODY-GASKET CLAMP	1
10	DOOR LOCK	1
20	WATER ENTRY HOSE GROUP	1
22	PLINTH	1
23	PLINTH COVER	1
24	UPPER SUPPORT BRACKET	1
896	SCREW M10*30	4
897	ADJUSTED FOOT ADJUST STAMP PLS.	4

**WASHING GROUP PARTS**



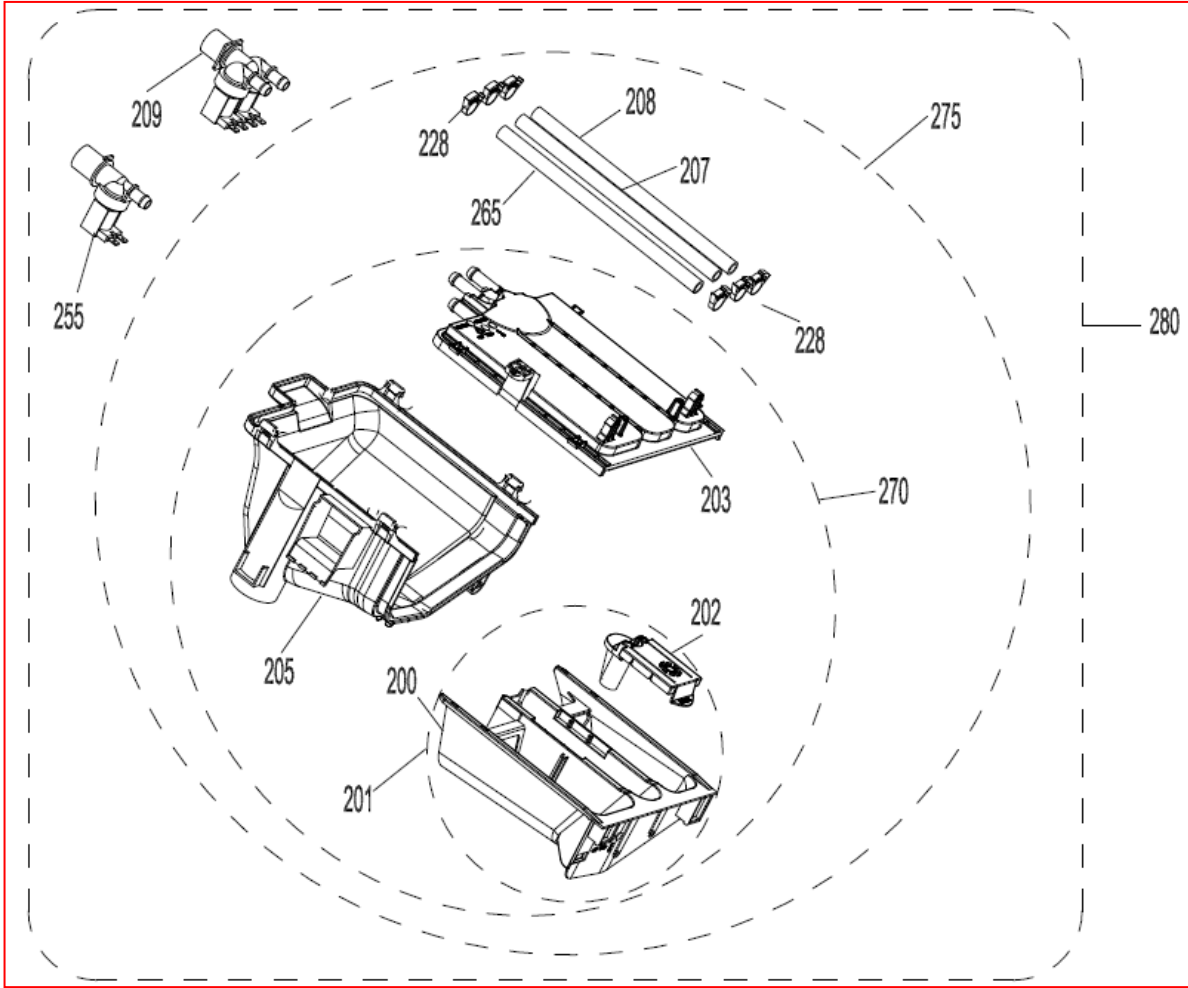
NO	PART NAME	QUANTITY
100	BELT	1
101	DRIVEN PULLEY	1
102	MOTOR	1
103	REAR TUB GROUP	1
104	SHOCK ABSORBER	2
105	SHOCK ABSORBER PIM	2
112	UPPER COUNTERWEIGHT	1
113	TUB SEAL	1
115	RESISTANCE FIXING WIRE	1
117	FRONT TUB	1
118	TUB BELLOWS SEAL	1
119	TUB-GASKET CLAMP	1
120	FRONT CONCRETE WEIGHT	1
121	RESISTANCE GROUP	1
122	COUNTERSUNK HEAD BOLT 8X28 TORX	4
124	COUNTERSUNK HEAD BOLT M 8X29	1
126	COUNTERSUNK HEAD BOLT M6X22 TORX INOX	3
160	DRUM GROUP	1
206	TUB ENTERANCE WITH BELLOW HOSE	1
213	TUB EXIT WITH BELLOW HOSE	1
700	TUB HANGER SPRING PART	2
800	TUB SPRING	2
805	HEXAGON HEAD BOLT 8X40	4
806	PLAIN WASHER 8.4X28X3	6
808	MUSHROOM HEAD SQUARE NECK BOLT M 8X65	2
810	CONICAL SPRING WASHER 8.4X18X2(DIN 6796)	2
811	UPPER CONCRETE SUPPORT SHEETIRON PART	2
812	HEX.NUT WITH FLANGE SERRATED M8 DIN6923	2
813	PLASTIC LIFTER	3
898	PSW HOSE MOUNTING RUBBER	2
899	RESISTANCE WITHOUT NTC	1
999	NTC	1

**CIRCULATION GROUP**



NO	PART NAME	QUANTITY
118	TUB BELLOWS SEAL	1
285	PUMP GROUP(FILTER)(THER. PROTECT.)	1
410	SCREW 4X14 PAN HEAD TYPE 2	1
446	ISO 7049 ST 4,2x13 TYPE 2	1
921	TWIN JET HORN/LEFT	1
922	TWIN JET HORN/RIGHT	1
923	TWIN JET T-ELBOW	1
924	HANDCUFFS Ø20.2	3
925	TWIN JET NOZZLE	2
926	CIRCULATION PUMP	1
927	TWIN JET CABLE HOSE HOLDER PLASTIC	5
928	HANDCUFFS Ø26.8	1
929	PUMP PROTECTION FOIL-3	1
930	TWIN JET HOSE _N NO:1	1
931	TWIN JET HOSE _H NO:2	1
932	HANDCUFFS Ø15.88	4
933	PYTHON-CIRCULATION TUB GASKET GR	1
934	TWIN _JET HOSE GROUP	1

**DETERGENT DRAWER GROUP**



(255-265-FOR DOUBLE WATER INLET WASHERS)

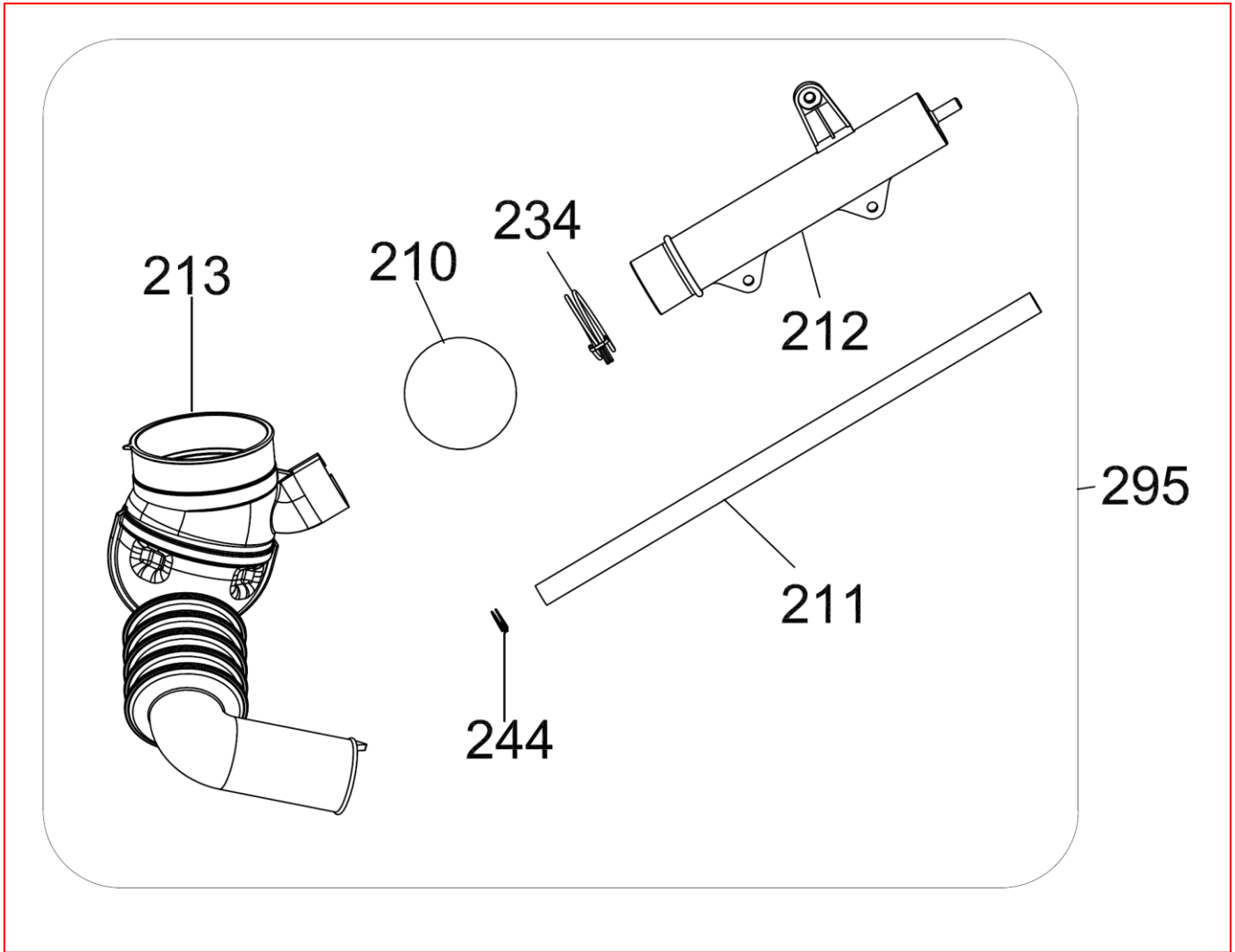
NO	PART NAME	QUANTITY
203	WATER DISTRIBUTION PLATE GROUP	1
205	DETERGENT DRAWER HOUSING	1
200	DETERGENT DRAWER	1
201	DET.DRAWER/3-SIPHON COVER/3 GR	1
202	SIPHON COVER	1
228	PLASTIC HOSE CLAMP	4
207	VALVE-DETERGENT BOX HOSE	1
208	VALVE-DETERGENT BOX HOSE	1
265	VALVE-DETERGENT BOX HOSE	1
209	VALVE(TWO EXIT)	1
255	VALVE(ONE EXIT)	1
270	DETERGENT BOX GROUP	1
275	DETERGENT BOX GROUP/HOSE	1
280	DETERGENT BOX GROUP/FULL	1

203-205-200-202-204-..... DETERGENT BOX GROUP

203-205-200-202-204-228-207-208..... DETERGENT BOX GROUP/HOSE

203-205-200-202-204-228-207-208-209..... DETERGENT BOX GROUP/FULL

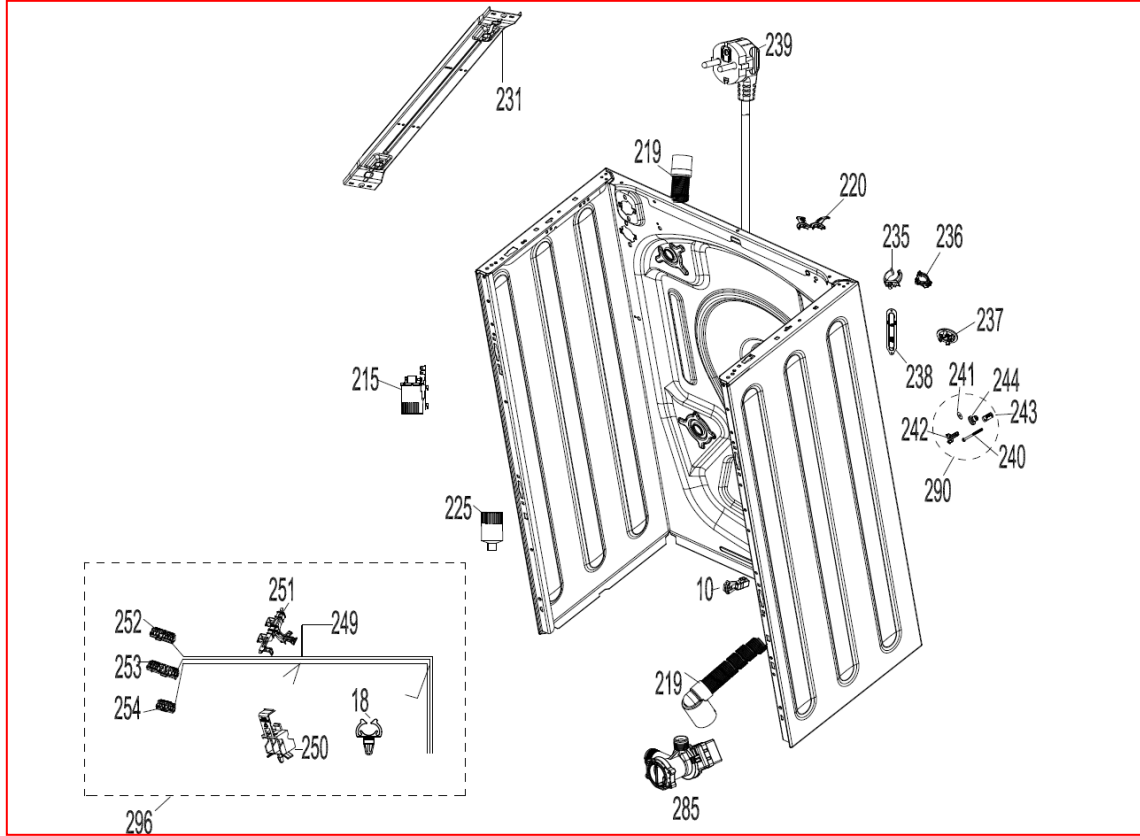
**PRESSURE SWITCH HOSE GROUP**



NO	PART NAME	QUANTITY
210	TUB EXIT BELLOW HOSE BALL	1
213	TUB EXIT WITH BELLOW HOSE	1
212	PRESSURE SWITCH WATER RESERVOIR	1
211	PRESSURE SWITCH HOSE	1
234	HOSE CLAMP Ø32,7	1
244	HOSE CLAMP Ø9,6	1
295	PRESSURE SWITCH HOSE GROUP	1

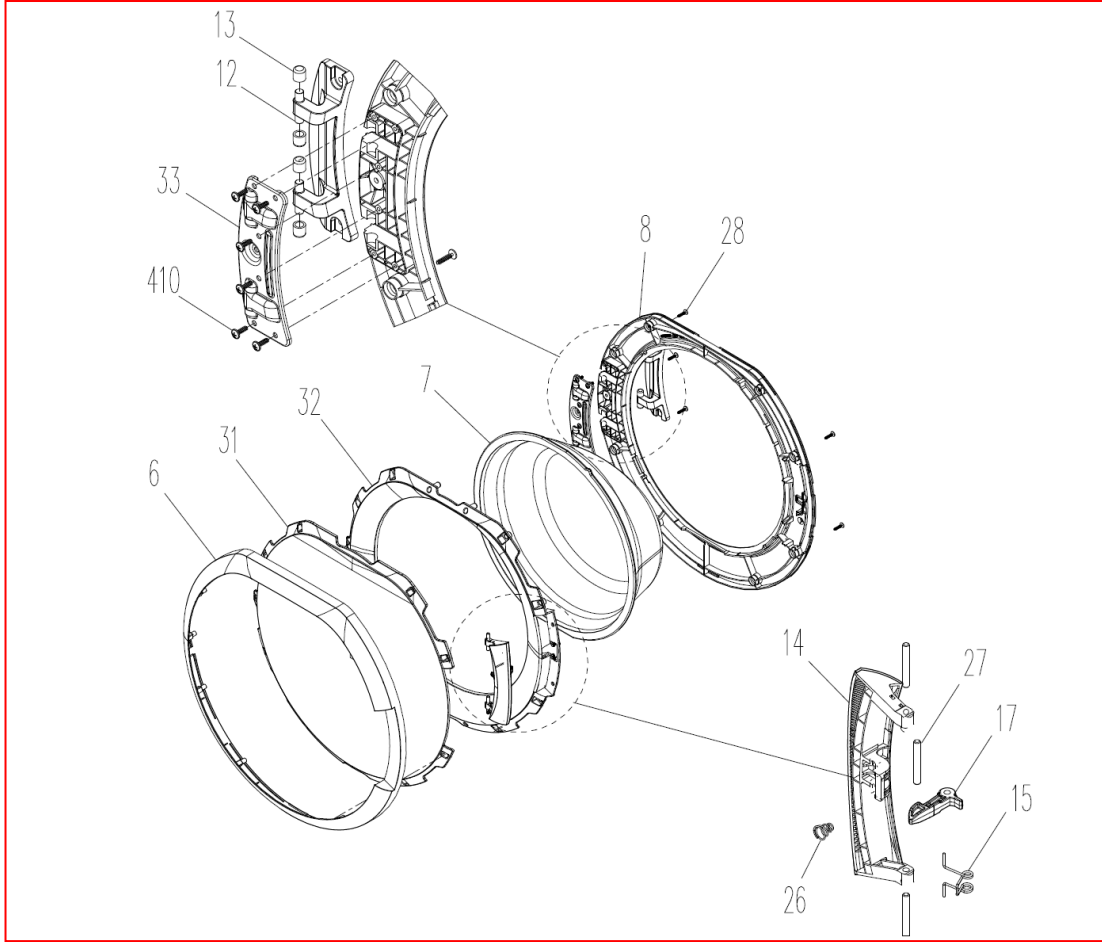
213-212-211-234-244----- PRESSURE SWITCH HOSE GROUP

**BODY GROUP PARTS**



NO	PART NAME	QUANTITY
285	PUMP GROUP	1
220	DRAIN HOSE ROUTER PLASTIC	1
219	DRAIN HOSE	1
225	PRESSURE SWITCH	1
215	PARASITE FILTER	1
296	CABLE GROUP	1
249	CABLE HARNESS	1
250	CABLE HARNESS HOLDER PLS	1
251	CABLE HOLDER AND ROUTER PLASTIC-L	1
252	PCB BOX SOCKET HOLDER-S1	1
253	PCB BOX SOCKET HOLDER-S2	1
254	PCB BOX SOCKET HOLDER-S3	1
800	HANGER SPRING	2
221	HANGER SPRING SHEETIRON PLS.	2
231	SPRING HANGER SHEETIRON	1
236	DRAIN HOSE AND CABLE HOLDING PLS.	2
235	DRAIN HOSE HOLDING PLS	2
239	POWER CORD GROUP	1
222	PRESSURE SWITCH MOUNTING CLIP	1
238	SPEED CONTROL HOLE STOPPER	1
242	TRANSPORT SCREW PLASTIC A	4
243	TRANSPORT SCREW PLASTIC B	4
240	TRANSPORT SCREW	4
241	WASHER 8,6*36*2	4
231	TUB HANGER SPRING PART	1
237	TRANSPORT SCREW STOPPER	5
290	TRANSPORT SCREW GROUP	4
920	FRONT PANEL DROP FIXING PLASTIC	

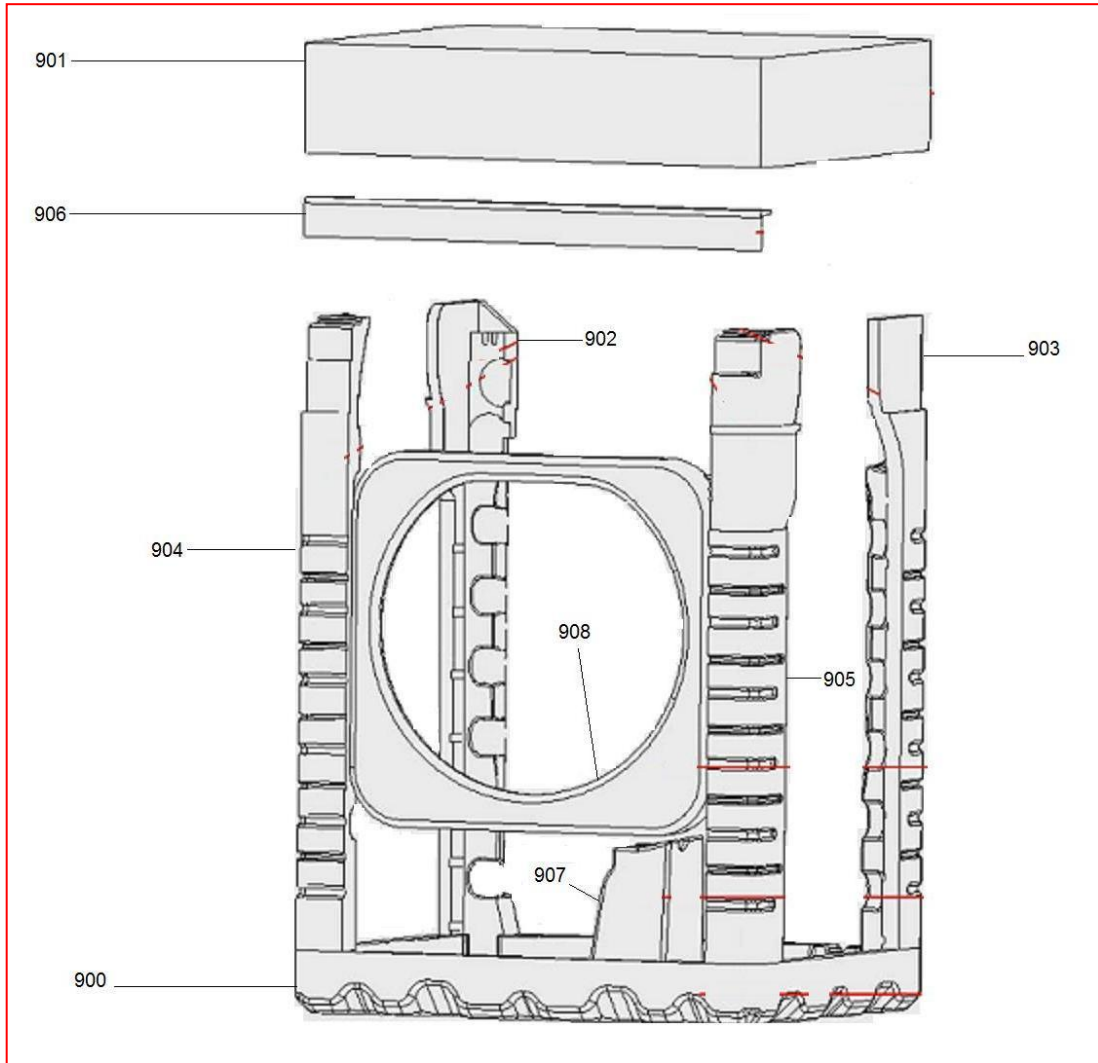
**DOOR GROUP**



NO	PART NAME	QUANTITY
6	PORTHOLE OUTER PLASTIC	1
7	DOOR GLASS/PYTHON	1
8	PORTHOLE INNEER PLASTIC	1
12	HINGE II	1
13	HINGE BUSHING II	4
14	DOOR HANDLE	1
15	HOOK SPRING	1
17	DOOR HOOK II.(METAL)	1
26	HANDLE SPRING	1
27	DOOR HANDLE PIM	3
28	SCREW 3.5X16PAN.HE.WITH COL.CR.RE.UN.HE	5
31	DOOR FRONT COVER ( <i>Optional</i> )	1
32	P.HOLE OUTER PLS INNER FRAME	1
33	DOOR HINGE SUPPORT SHEET	1
410	SCREW 4X14 PAN HEAD WITH COL.UND.HEAD	6
50	PORTHOLE GROUP (all parts)	1



**PACKAGING GROUP**



NO	PART NAME	QUANTITY
900	BOTTOM STYROFOAM	2
901	TOP CARTON	1
902	REAR STYROFOAM(LEFT)	1
903	REAR STYROFOAM(RIGHT)	1
904	FRONT STYROFOAM LEFT	1
905	FRONT STYROFOAM RIGHT	1
906	CORNER CARDBOARD	1
907	TUB SUPPORT STYROFOAM	1
908	PORTHOLE PRO. STYROFOAM	1

**ACCESSORIES**



995

996

997

998

NO	PART NAME	QUANTITY
995	ENERGY LABEL	1
996	LIQUID DETERGENT LEVEL PLATE	1
997	DRAIN HOSE COAT RACK	1
998	TRANSPORT SCREW STOPPER	4