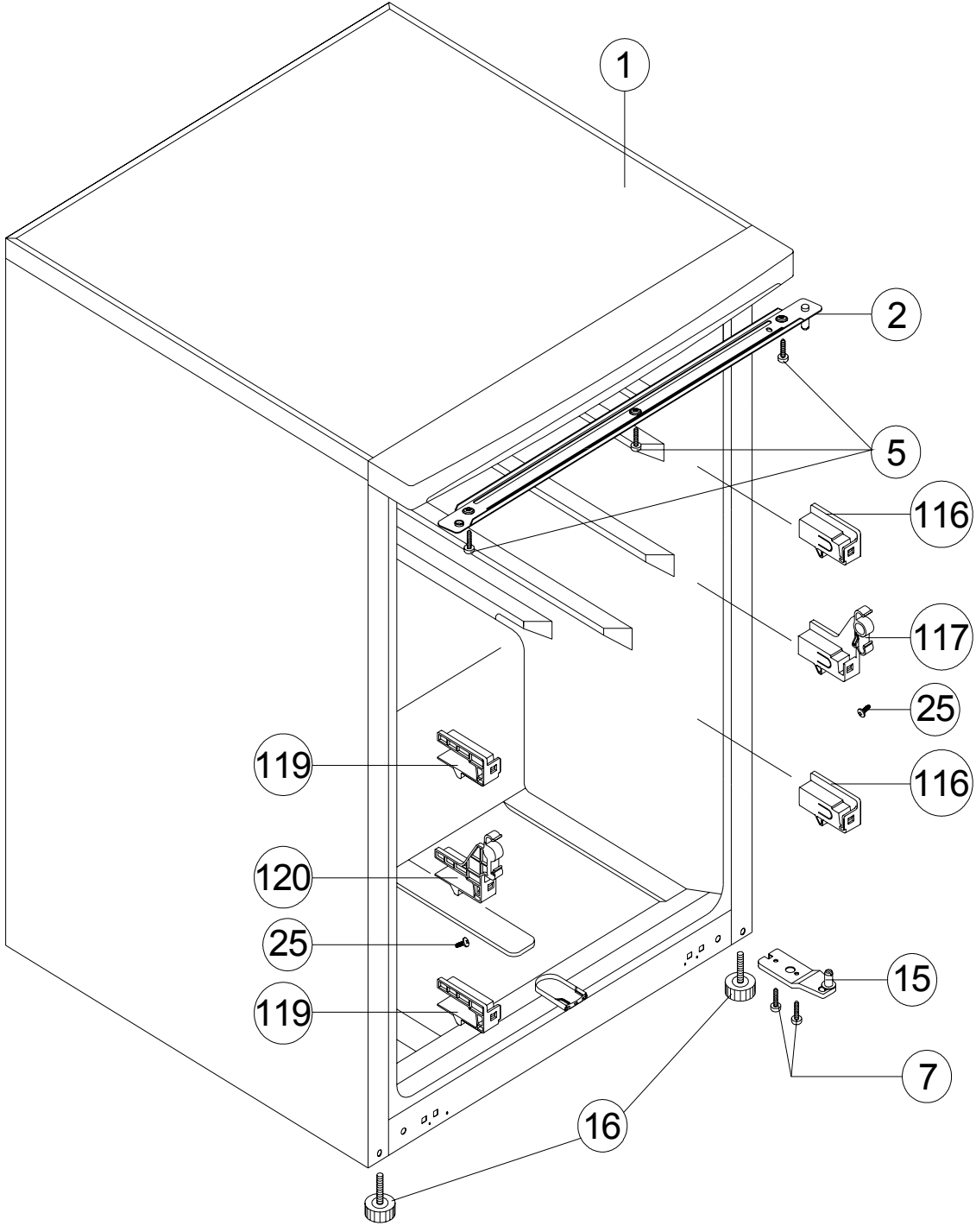


<b>VESTEL</b> WHITE GOODS	<b>VESTEL FREEZER</b>	<b>CUSTOMER</b> <b>SUPPORT</b>
	<b>INTERIOR PARTS</b>	



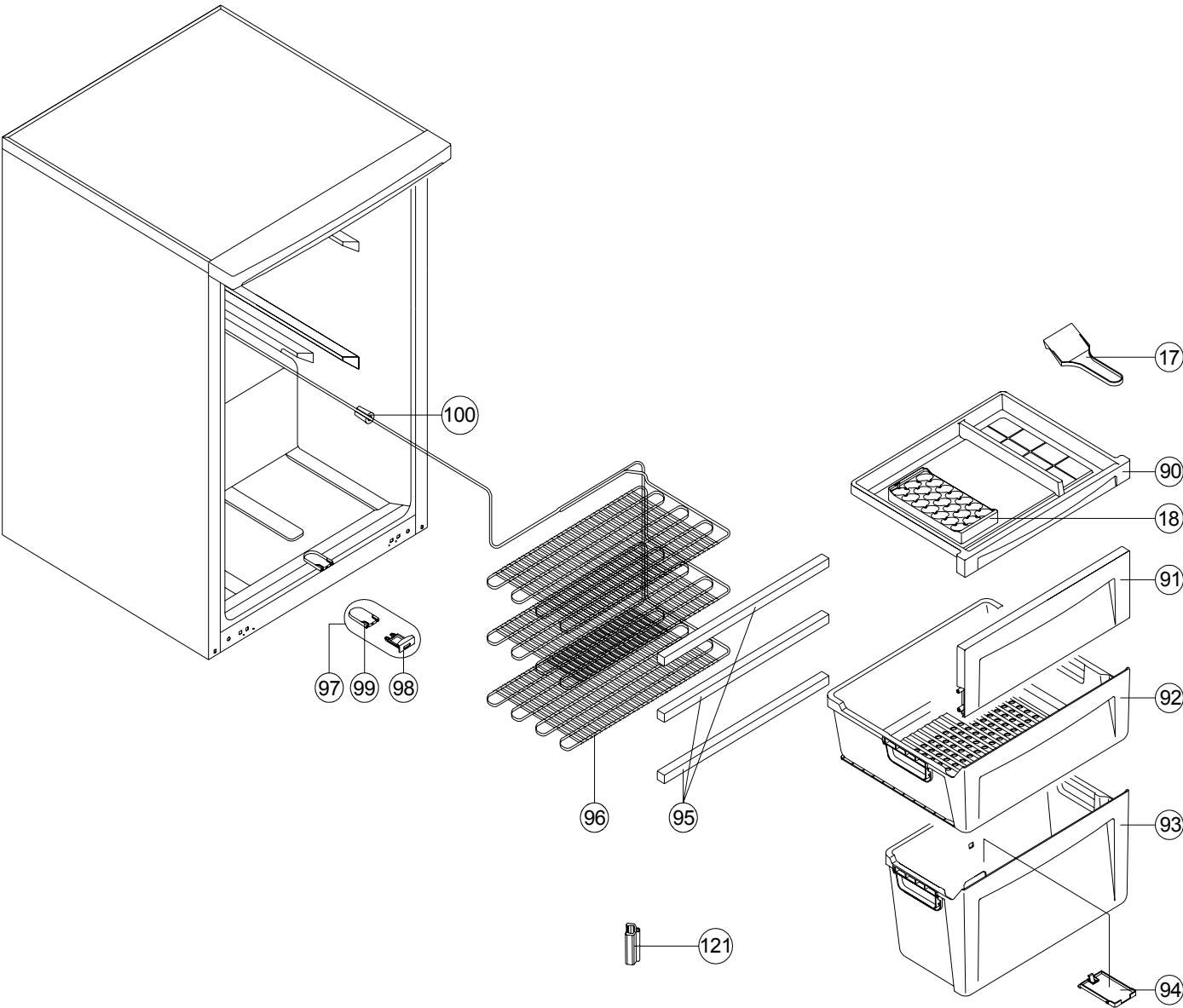
<b>VESTEL</b> WHITE GOODS	<b>VESTEL FREEZER</b>	<b>CUSTOMER</b> <b>SUPPORT</b>
	<b>INTERIOR PARTS LIST</b>	

<b>POSITION NUMBER</b>	<b>PART NAME</b>
1	ASSY URT CAB/145
2	TOP HINGE/140
5	SCREW KA 40*8 WN 1412 EJOT
7	SCREW M5*14 WN 1342-H EJOT
15	BOTTOM HINGE/140
16	STATIONARY FOOT
25	SCREW PLS KA 40*13(INOX-S.UÇ)SUS 430
116	F EVAP SUPPORT R/360
117	F COVER SUPPORT R/360
119	F EVAP SUPPORT L/360
120	F COVER SUPPORT L/360

**ABBREVIATIONS :**

ASSY : ASSEMBLY  
URT : URETHANE  
CAB : CABINET  
F : FREEZER  
R. RIGHT  
L : LEFT

<b>VESTEL</b> WHITE GOODS	<b>VESTEL FREEZER</b>	<b>CUSTOMER</b> <b>SUPPORT</b>
	<b>ACCESSORY PARTS</b>	



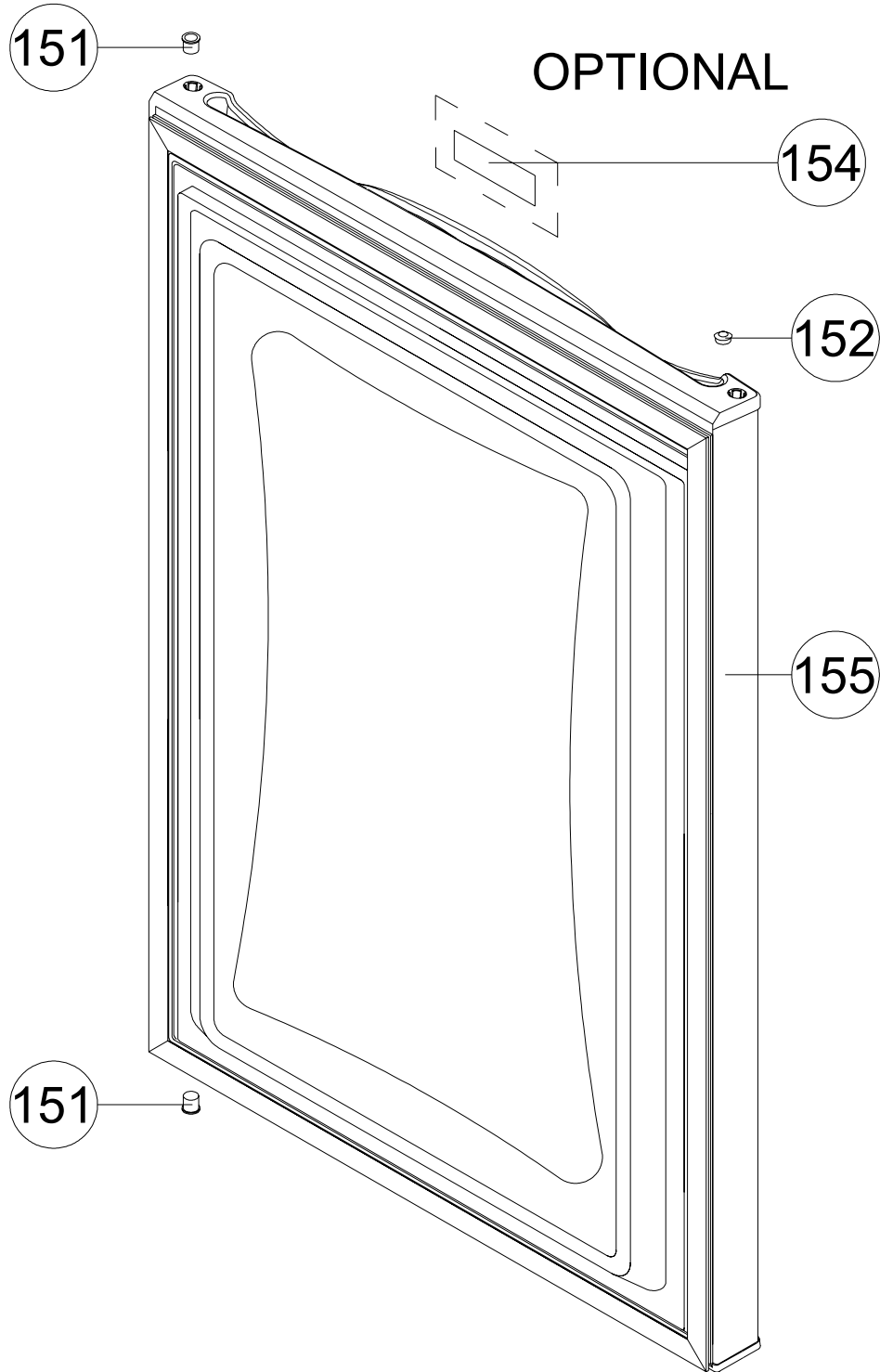
<b>VESTEL WHITE GOODS</b>	<b>VESTEL FREEZER</b>	<b>CUSTOMER SUPPORT</b>
	<b>ACCESSORY PARTS LIST</b>	

<b>POSITION NUMBER</b>	<b>PART NAME</b>
17	ICE SCRAPER ( <i>OPTIONAL</i> )
18	ICE TRAY ( <i>OPTIONAL</i> )
90	GRIP TRAY ICE/145
91	F COVER/145
92	MIDDLE BASKET/145
93	BOTTOM BASKET/145
94	BASKET F DRAIN/360
95	F EVAP TRIM/145
96	F EVAPORATOR ASSY/145
97	F DRAIN GR/360
98	F DRAIN/360
99	F DRAIN HOLDER/360
100	ANTIVIBRATION (HEAD EXCHANGER)
121	THERMO CAPI BRACKET/360

**ABBREVIATIONS :**

F : FREEZER

<b>VESTEL</b> WHITE GOODS	<b>VESTEL FREEZER</b>	<b>CUSTOMER SUPPORT</b>
	<b>DOOR ASSY. PARTS</b>	



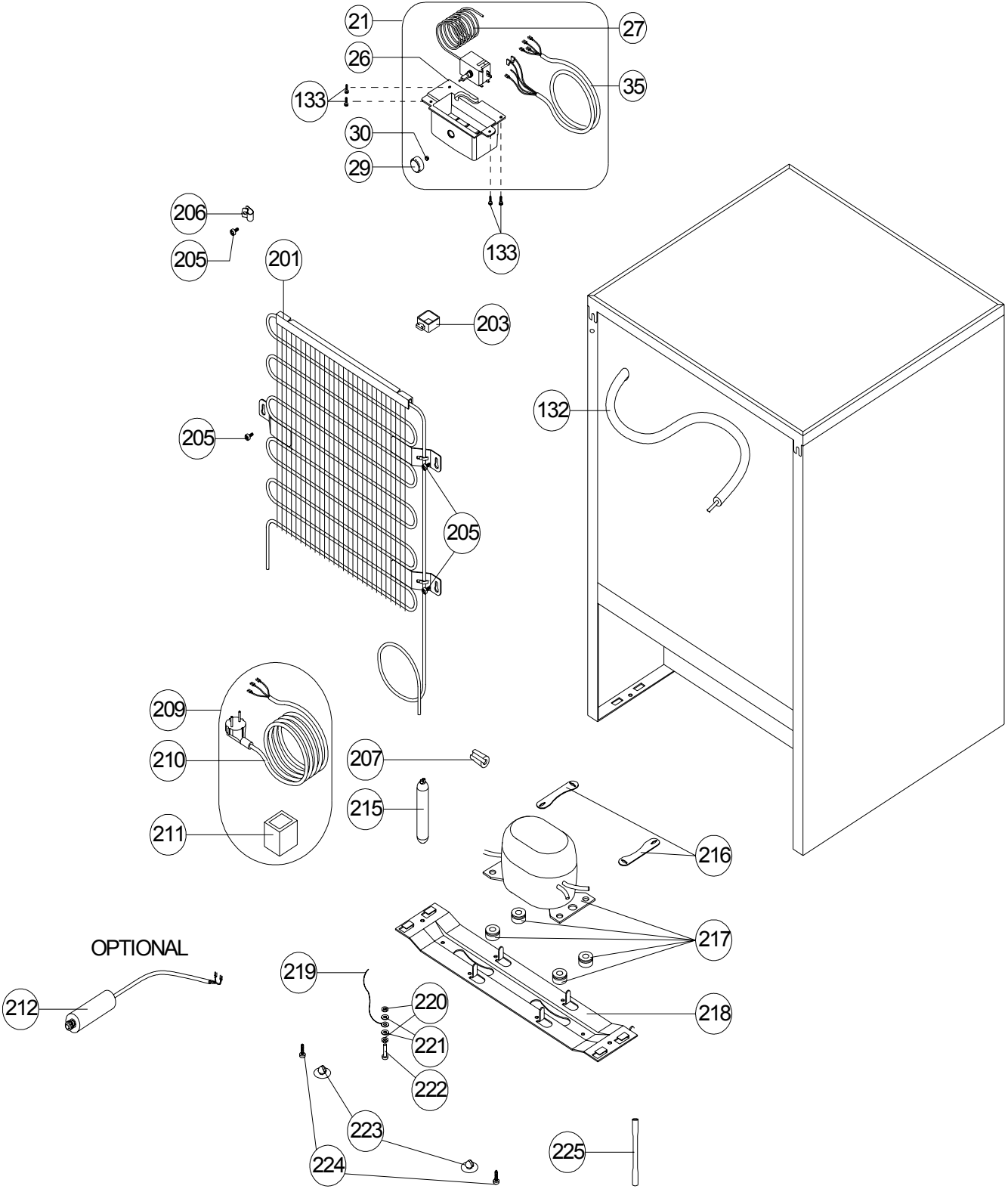
<b>VESTEL</b> WHITE GOODS	<b>VESTEL FREEZER</b>	<b>CUSTOMER</b> <b>SUPPORT</b>
	<b>DOOR ASSY. PARTS LIST</b>	

<b>POSITION NUMBER</b>	<b>PART NAME</b>
151	BUSHING/345P
152	BUSHING CAP
154	LOGO ( <i>OPTIONAL</i> )
155	DOOR ASSY/145DM

**ABBREVIATIONS :**

ASSY : ASSEMBLY

<b>VESTEL</b> WHITE GOODS	<b>VESTEL FREEZER</b>	<b>CUSTOMER</b> <b>SUPPORT</b>
	<b>UNIT PARTS</b>	



<b>VESTEL WHITE GOODS</b>	<b>VESTEL FREEZER</b>	<b>CUSTOMER SUPPORT</b>
	<b>UNIT PARTS LIST</b>	

<b>POSITION NUMBER</b>	<b>PART NAME</b>
21	THERMOSTAT BOX ASSY/145
26	THERMOSTAT BOX/145
27	THERMOSTAT
29	THERMOSTAT KNOB SRGF/145
30	THERMOSTAT KNOB SPRING
35	WIRING HARNESS/THERMOSTAT/145
132	COVER TUBE (25*13*900) 145
133	SCREW 4.2*13 DIN 7981 YSB
201	MAIN CONDENSER/145
203	SPACER
205	SCREW 4.8*13 DIN7981 TYSB W.O. WASHER
206	CABLE HOLDER/140
207	ANTIVIBRATION (CONDANSER)
209	POWER CORD GROUP
210	POWER CORD
211	OVER LOAD RELAY
212	CAPACITOR (OPTIONAL)
215	DRYER (XH9,7.5GR) SERVICE
216	COMP FIXING BRACKET
217	COMPRESSOR
218	COMP BASEMENT/140
219	GROUNDING WIRE
220	NUT M4*3.2 DIN 934 ZNK
221	WASHER 4.3*8*0.9 DIN 6798 ZNK
222	SCREW M4*16 DIN 933 ZNK
223	FOOT
224	SCREW KA 50*14 WN 1412 EJOT
225	SERVICE TUBE (120*6*0,75)