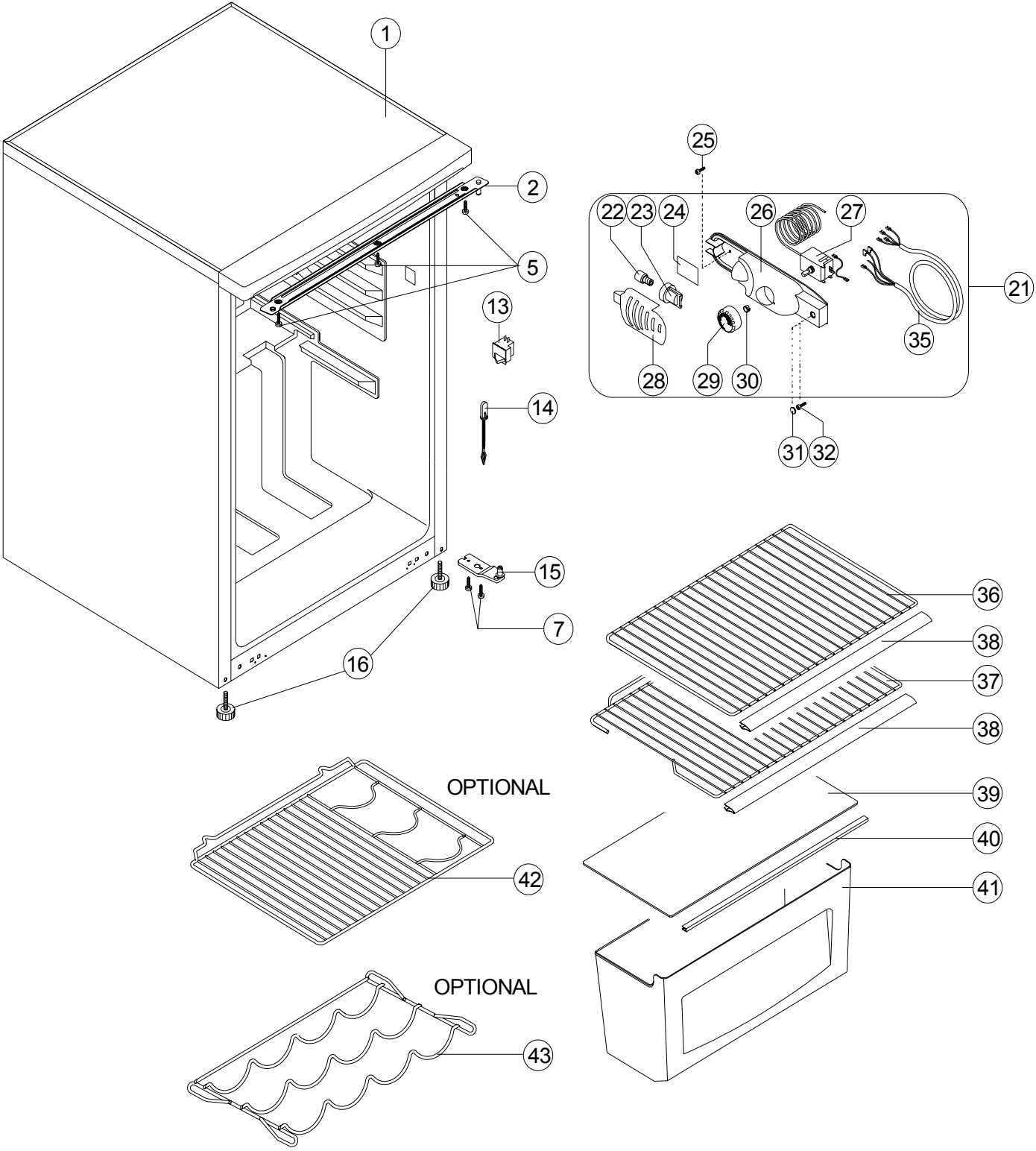


VESTEL WHITE GOODS	VESTEL REFRIGERATOR	CUSTOMER SUPPORT
	INTERIOR PARTS	



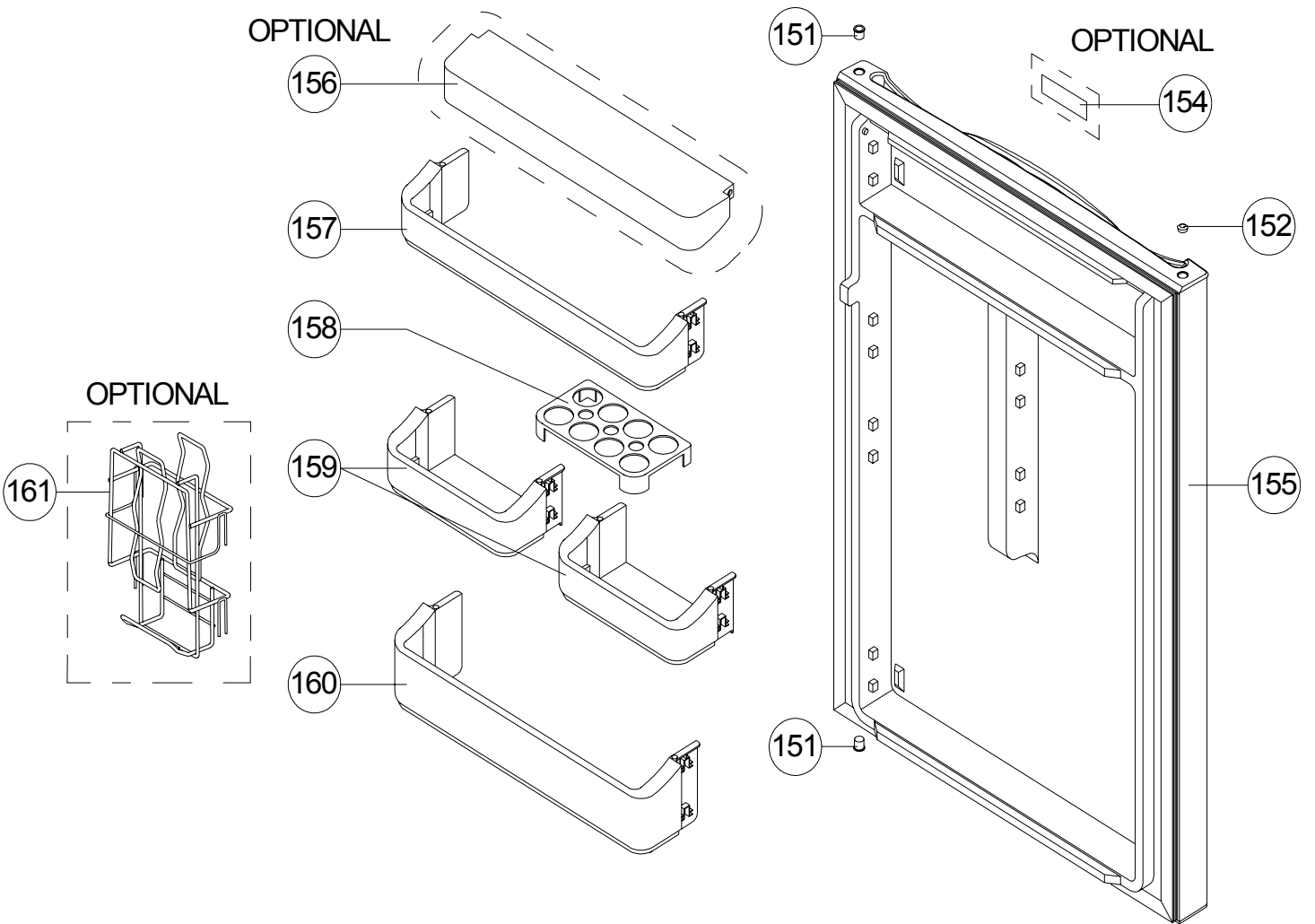
VESTEL WHITE GOODS	VESTEL REFRIGERATOR	CUSTOMER SUPPORT
	INTERIOR PARTS LIST	

POSITION NUMBER	PART NAME
1	ASSY URT CAB/150
2	TOP HINGE/140
5	SCREW KA 40*8 WN 1412 EJOT
7	SCREW M5*14 WN 1342-H EJOT
13	DOOR SWITCH
14	TUNNEL DRAIN PLUG
15	BOTTOM HINGE/140
16	STATIONARY FOOT
21	THERMOSTAT BOX ASSY/150 (WITH SWITCH)
22	LAMP (E14/220-240V/15W)
23	LAMP HOLDER-E14
24	HEAT REFLECTOR FOIL/140
25	SCREW PLS KA 40*13(INOX-S.UÇ)SUS 430
26	THERMOSTAT BOX/140
27	THERMOSTAT
28	LAMP COVER/140
29	THERMOSTAT KNOB SRGF/260 (NUMBER)
30	THERMOSTAT KNO SPRING
31	THERMOSTAT BOX SCREW CAP/140
32	SCREW KA 40*18 WN 1411(INOX-SİV.UÇ)EJOT
35	WIRING HARNESS/THERMOSTAT/150
36	R COMPARTMENT TOP SHELF/150 (W/O TRIM)
37	R COMPARTMENT SHELF/260
38	SHELF TRIM R/140
39	CRISPER COVER/140
40	CRISPER COVER TRIM/140
41	CRISPER/140
42	WINE SHELF/260 (ONE BOOTLE) (<i>OPTIONAL</i>)
43	WINE SHELF/260 (FOUR BOOTLE) (<i>OPTIONAL</i>)

ABBREVIATIONS :

ASSY : ASSEMBLY
URT : URETHANE
CAB : CABINET
R : REFRIGERATOR
W/O : WITHOUT

VESTEL WHITE GOODS	VESTEL REFRIGERATOR	CUSTOMER SUPPORT
	DOOR ASSY PARTS	



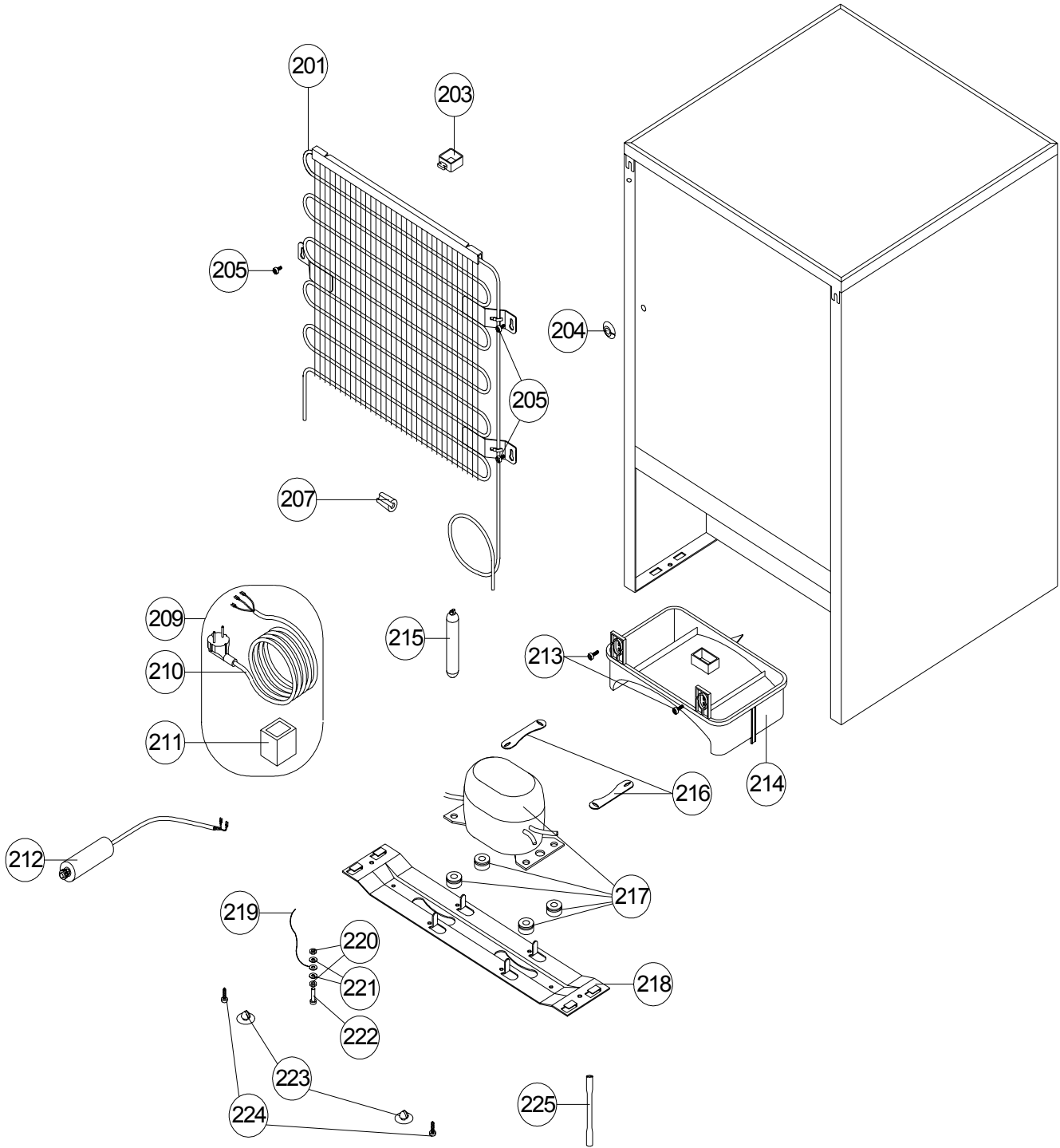
VESTEL WHITE GOODS	VESTEL REFRIGERATOR	CUSTOMER SUPPORT
	DOORASSY PARTS LIST	

POSITION NUMBER	PART NAME
151	BUSHING/345P
152	BUSHING CAP
154	LOGO (<i>OPTIONAL</i>)
155	DOOR ASSY/140DM
156	SHELF COVER/140 (<i>OPTIONAL</i>)
157	BOTTLE SHELF/140
158	EGG SHELF/140
159	EGG HOLDER/140
160	BOTTLE SHELF/260
161	COLAMATIC/140 (<i>OPTIONAL</i>)

ABBREVIATIONS :

ASSY : ASSEMBLY

VESTEL WHITE GOODS	VESTEL REFRIGERATOR	CUSTOMER SUPPORT
	UNIT PARTS	



VESTEL WHITE GOODS	VESTEL REFRIGERATOR	CUSTOMER SUPPORT
	UNIT PARTS LIST	

POSITION NUMBER	PART NAME
201	MAIN CONDENSER/140
203	SPACER
204	PLUG,CABLE HARNESS
205	SCREW 4.8*13 DIN7981 TYSB W.O. WASHER
207	ANTIVIBRATION (CONDENSER)
209	POWER CORD GROUP
210	POWER CORD
211	OVER LOAD RELAY
212	CAPACITOR (<i>OPTIONAL</i>)
213	SCREW 4.2*9.5 DIN 7981 YSB
214	EVAPORATING TRAY/260
215	DRYER (XH9,7.5GR) SERVICE
216	COMP. FIXING BRACKET
217	COMPRESSOR
218	COMP. BASEMENT/140
219	GROUNDING WIRE
220	NUT M4*3.2 DIN 934 ZNK
221	WASHER 4.3*8*0.9 DIN 6798 ZNK
222	SCREW M4*16 DIN 933 ZNK
223	COMP.BASEMENT FOOT/140
224	SCREW KA 50*14 WN 1412 EJOT
225	SERVICE TUBE (120*6*0,75)