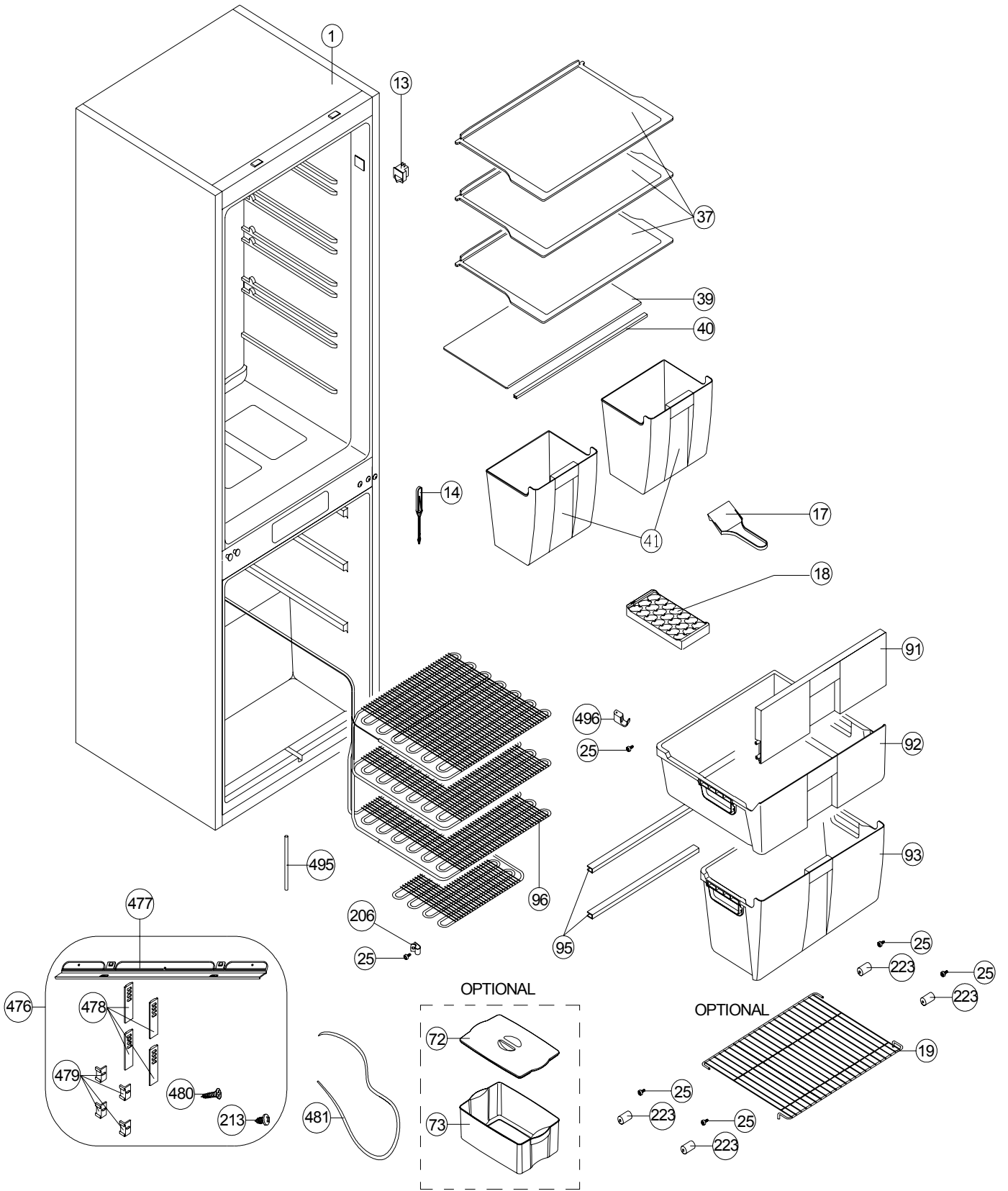




VESTEL BUILT IN-COMBI 3200

CUSTOMER SUPPORT

ACCESSORY PARTS



APRIL 2012

**VESTEL BUILT IN-COMBI 3200****CUSTOMER
SUPPORT****ACCESSORY PARTS LIST**

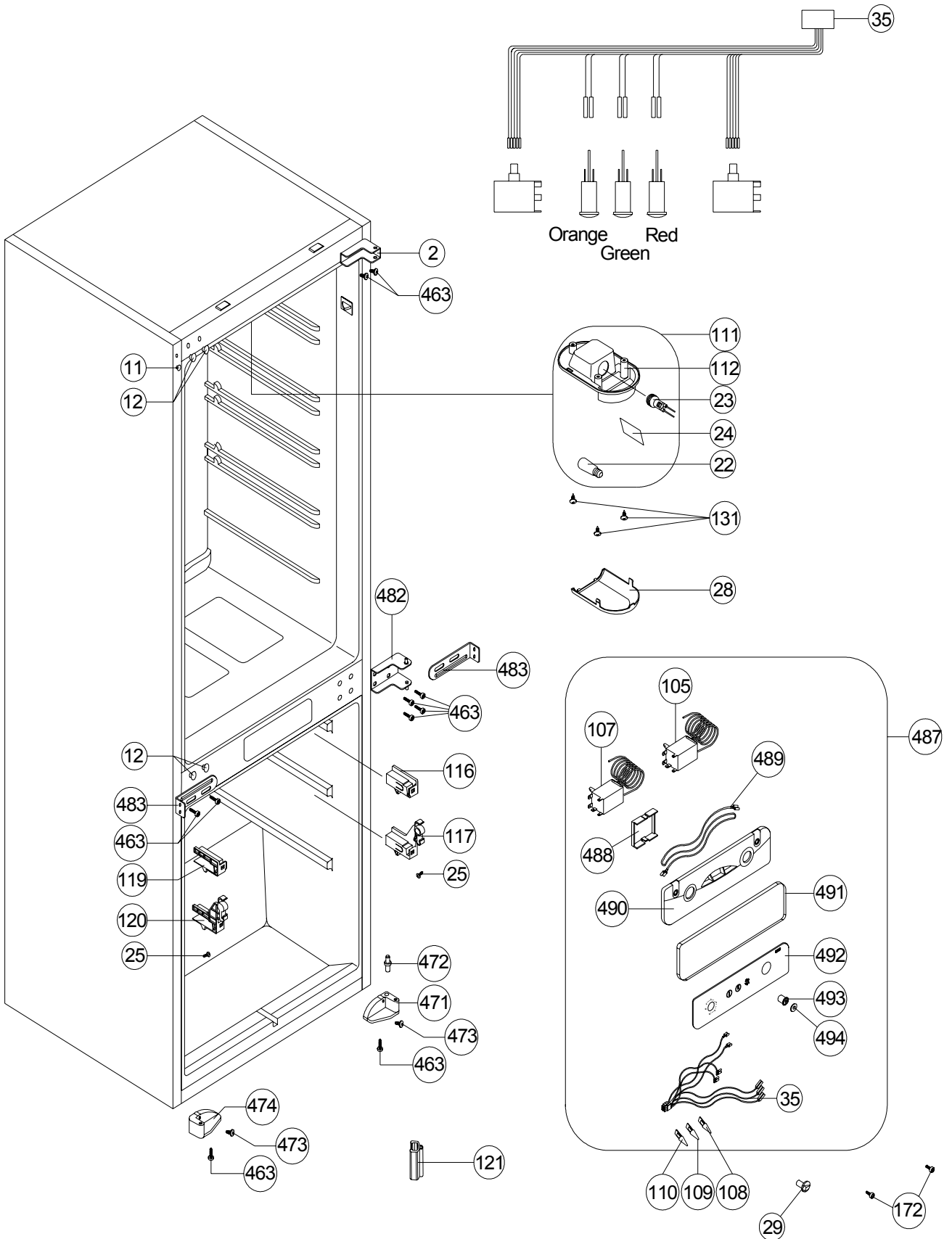
POSITION NUMBER	PART NAME
1	ASSY URT CAB/3200 ANK
13	DOOR SWITCH
14	TUNNEL DRAIN PLUG
17	ICE SCRAPER
18	ICE TRAY
19	F SHELF/3200
25	SCREW PLS KA 40*13(INOX-S.UÇ)SUS 430
37	R GLASS SHELF(W.WHITE FRAME)
39	CRISPER COVER/3200 ANK
40	CRISPER COVER TRIM/140
41	CRISPER/3200 ANK
72	MEAT TRAY COVER (<i>OPTIONAL</i>)
73	MEAT TRAY (<i>OPTIONAL</i>)
91	F COVER/1450 ANK
92	MIDDLE BASKET/1450 ANK
93	BOTTOM BASKET/1450 ANK
95	F EVAP TRIM/145 (INJ)
96	F EVAPORATOR ASSY/3200 ANK(WOT)
206	CABLE HOLDER
213	SCREW 4.2*9.5 DIN 7981 YSB
223	FOOT/115
476	SS PACKAGE GR/3200 ANK
477	TOP BRACKET/ANK
478	SS DOOR REAL/1400 ANK
479	SS DOOR GUIDE/1400 ANK
480	SCREW 4*17 YHB
481	SEALING/3200 ANK-SS
495	F DRAIN HOSE/1450 ANK
496	WOT EVAPORATING HANGER/3200 ANK

ABBREVIATIONS :

ASSY : ASSEMBLY
URT : URETHANE
R : REFRIGERATOR
F : FREEZER

APRIL 2012

INTERIOR PARTS



**VESTEL BUILT IN-COMBI 3200****CUSTOMER
SUPPORT****INTERIOR PARTS LIST**

POSITION NUMBER	PART NAME
2	BOTTOM/TOP HINGE SS/1400 ANK
11	MIDDLE HINGE SCREW CAP (SMALL)
12	MIDDLE HINGE SCREW CAP (BIG)
22	LAMP (E14/220-240V/15W)
23	LAMP HOLDER-E14
24	HEAT REFLECTOR FOIL/360
25	SCREW PLS KA 40*13(INOX-S.UÇ)SUS 430
28	LAMP COVER/360
29	THERMOSTAT KNOB/1450 ANK
35	WIRING HARNESS/THERMOSTAT/3200 ANK
105	REFRIGERATOR THERMOSTAT
107	FREEZER THERMOSTAT
108	INDICATOR LAMP(RED)ANK
109	INDICATOR LAMP(GREEN)ANK
110	INDICATOR LAMP(ORANGE)ANK
111	LAMP BOX ASSY/360
112	LAMP BOX/360 (WITH FOIL)
116	F EVAP SUPPORT R/360
117	F COVER SUPPORT R/360
119	F EVAP SUPPORT L/360
120	F COVER SUPPORT L/360
121	THERMO CAPI BRACKET/360
131	SCREW KA 40*14 WN 1411(INOX-S.U)EJOT
172	SCREW KA 35*12 WN 1412(S.U)EJOT
463	SCREW M5*12 DIN 7985 YSB
471	FOOT SS/ANK (RIGHT)
472	SS BOTTOM WHELL PIN/ANK
473	SCREW M5*20 YHB
474	FOOT SS/ANK (LEFT)
482	MIDDLE SS HINGE/2600 ANK
483	SS MIDDLE WHELL/ANK
487	THERMOSTAT ASSY/3200 ANK
488	THERMOSTAT BRACKET/1450 ANK
489	THER. BOX COVER HEATER(2W)
490	THERMOSTAT COVER/3200 ANK
491	THERMOSTAT COVER GASKET/1450 ANK
492	DISPLAY PANEL SRGF/3200 ANK
493	SUPERFREEZE SWITCH/ROUND-ANK
494	SUPERFREEZE ISOLATOR/ROUND-ANK

ABBREVIATIONS :

R : RIGHT
L : LEFT
PLS : PLASTIC

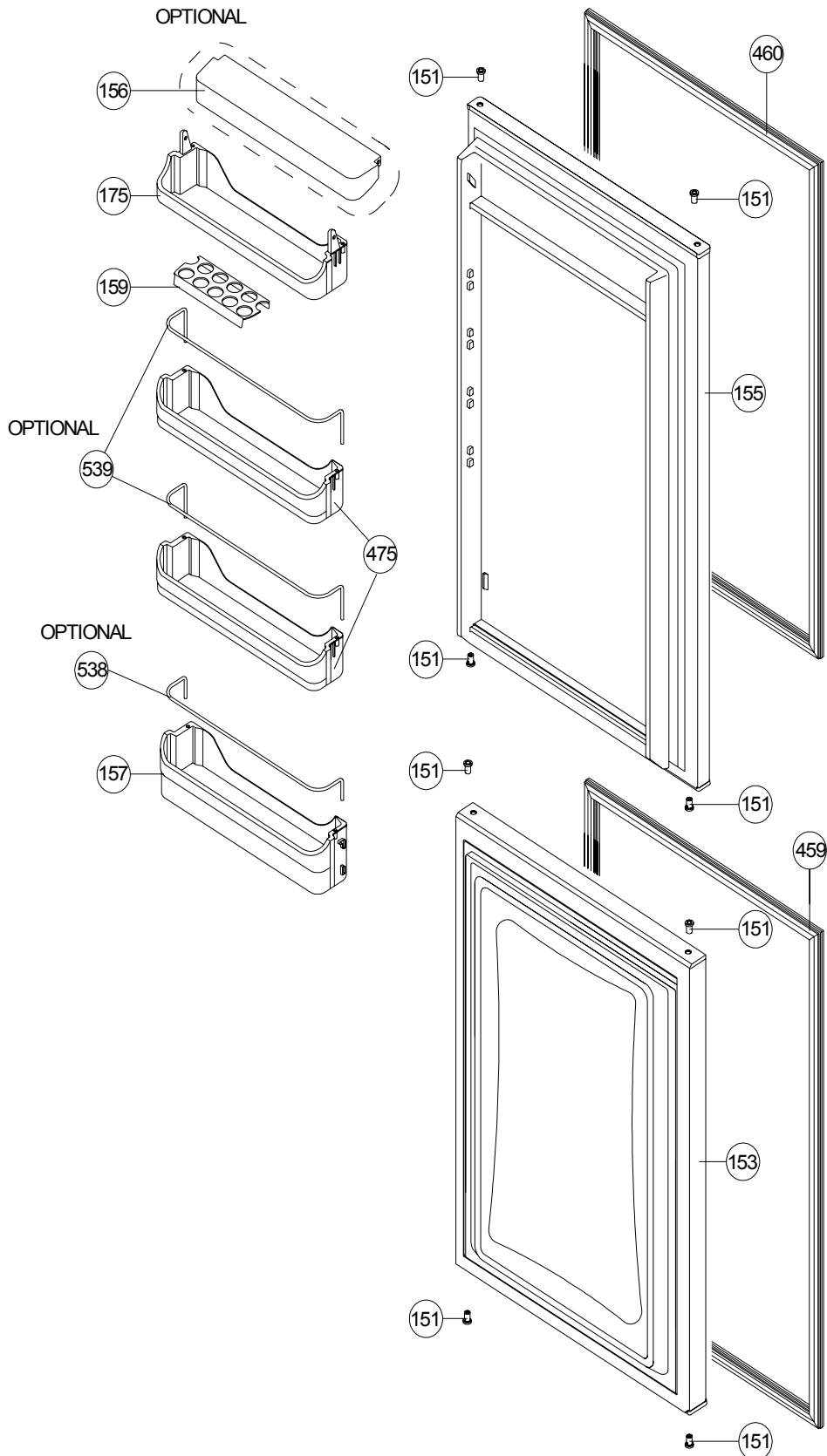
APRIL 2012




VESTEL BUILT IN-COMBI 3200

CUSTOMER
SUPPORT

DOORASSY. PARTS



APRIL 2012

	VESTEL BUILT IN-COMBI 3200	CUSTOMER SUPPORT
	DOOR ASSY. PARTS LIST	

POSITION NUMBER	PART NAME
151	BUSHING/1400 ANK
153	F DOOR ASSY/3200 ANK S-CAP
155	R DOOR ASSY/3200 ANK S-CAP
156	SHELF COVER/1400 ANK (<i>OPTIONAL</i>)
157	BOTTLE SHELF/1400 ANK
159	EGG HOLDER(I+II)345
175	CHEESE/BUTTER SHELF/1400 ANK
459	F DOOR GASKET/3200 ANK
460	R DOOR GASKET/3200 ANK
475	MIDDLE SHELF/1400 ANK
538	BOTTLE SHELF HOLDER WIRE (<i>OPTIONAL</i>)
539	CHEESE/BUTTER SHELF WIRE (<i>OPTIONAL</i>)

ABBREVIATIONS :

ASSY : ASSEMBLY

R : REFRIGERATOR

F : FREEZER

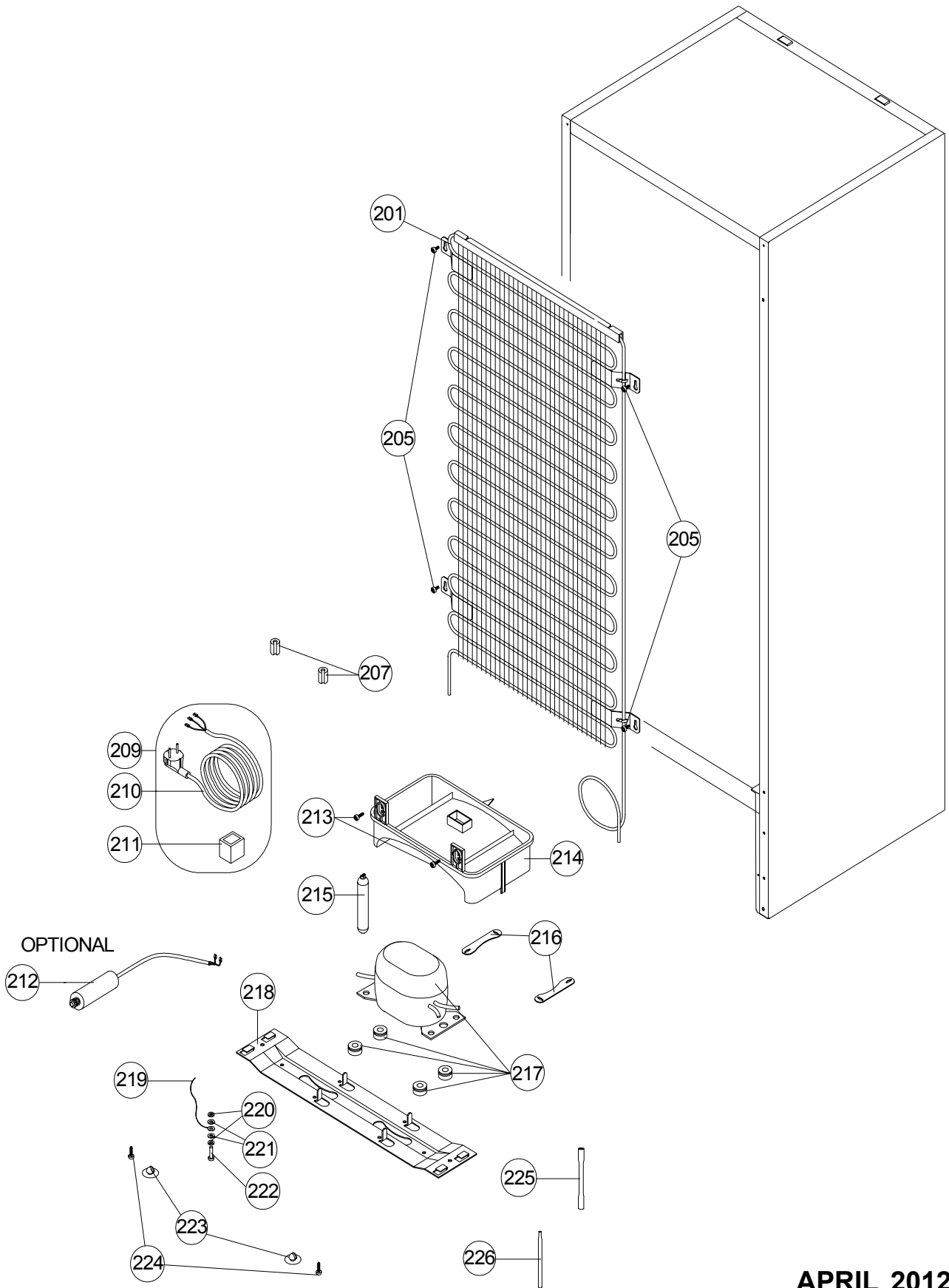
APRIL 2012



VESTEL BUILT IN-COMBI 3200

CUSTOMER
SUPPORT

UNIT PARTS



APRIL 2012

**VESTEL BUILT IN-COMBI 3200****CUSTOMER
SUPPORT****UNIT PARTS LIST**

POSITION NUMBER	PART NAME
201	MAIN CONDANSER/3200 ANK
205	SCREW 4.8*13 DIN7981 TYSB W.O. WASHER
207	ANTIVIBRATION (CONDENSER)
209	POWER CORD GROUP
210	POWER CORD
211	OVER LOAD RELAY
212	CAPACITOR (OPTIONAL)
213	SCREW 4.2*9.5 DIN 7981 YSB
214	EVAPORATING TRAY/1400 ANK
215	DRYER (XH9,7.5GR,I.Ç.=2.0)
216	COMP. FIXING BRACKET
217	COMPRESSOR
218	COMP BASEMENT/1400 ANK
219	GROUNDING WIRE
220	NUT M4*3.2 DIN 934 ZNK
221	WASHER 4.3*8*0.9 DIN 6798 ZNK
222	SCREW M4*16 DIN 933 ZNK
223	FOOT/ ANK
224	SCREW KA 50*14 WN 1412 EJOT
225	SERVICE TUBE (120*6*0,75)
226	DRYER VACUUM TUBE

APRIL 2012