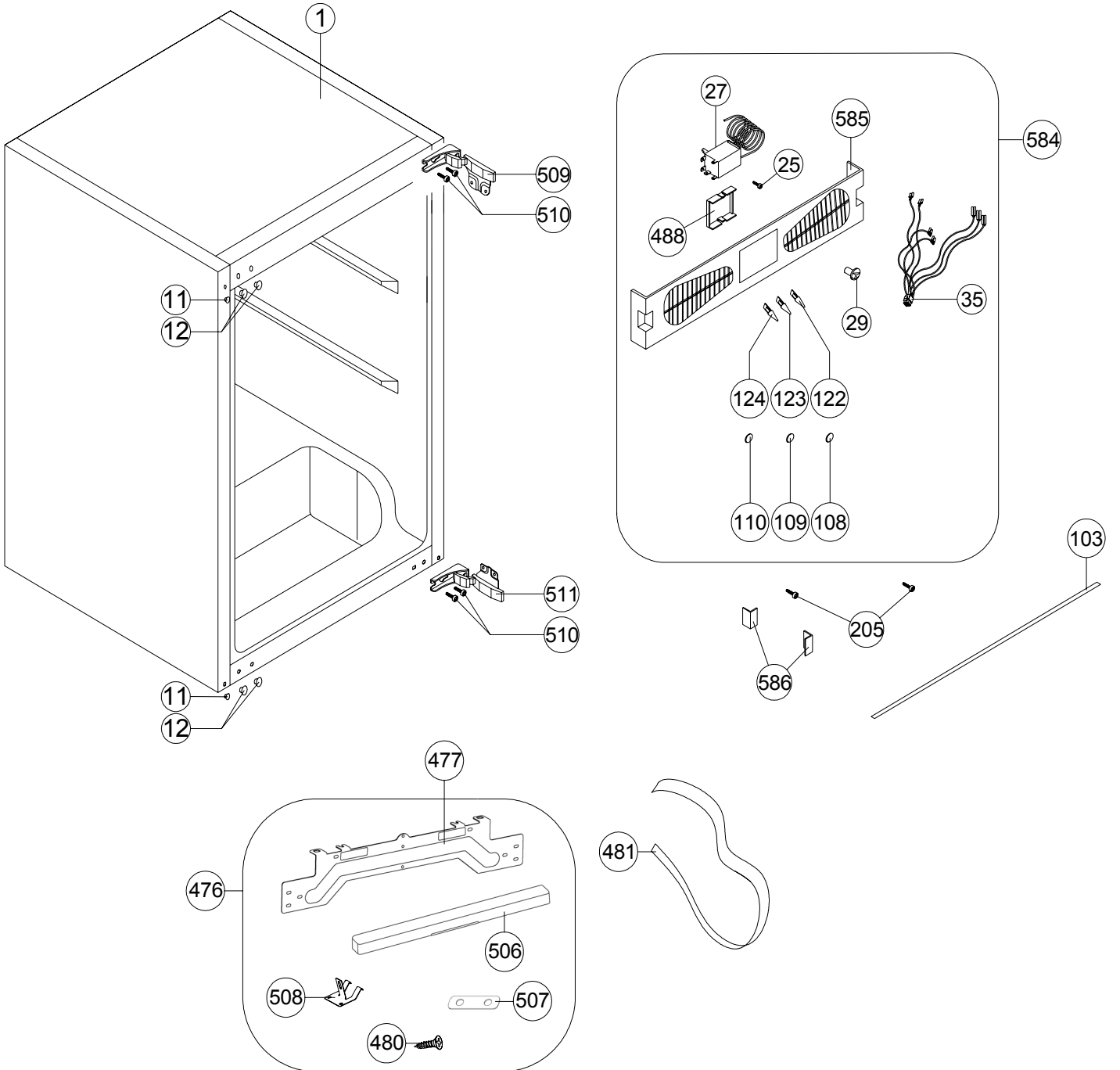




BUILT IN FREEZER 1650

INTERIOR PARTS

CUSTOMER
SUPPORT



SEPTEMBER 2012



BUILT IN FREEZER 1650

INTERIOR PARTS LIST

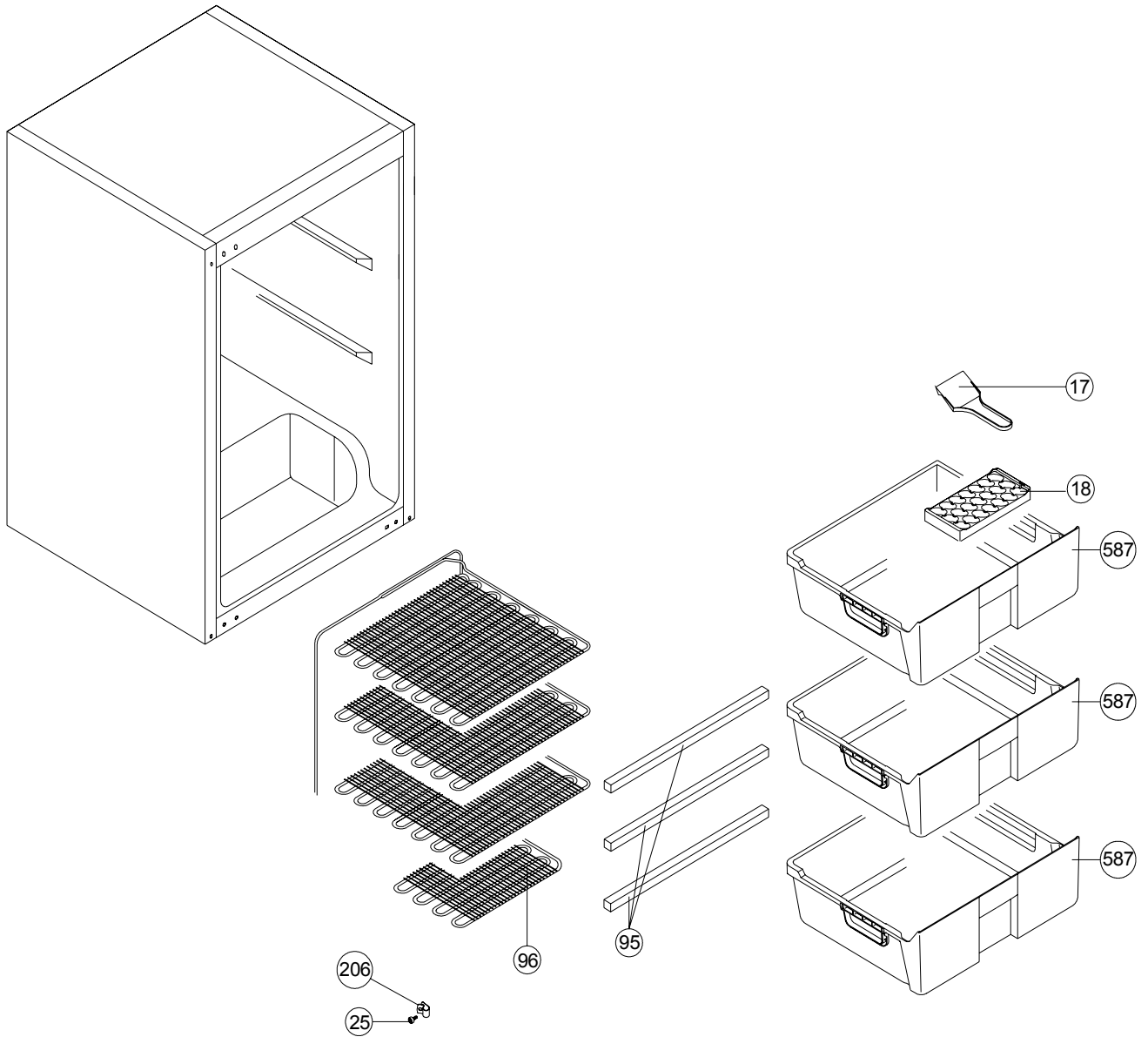
**CUSTOMER
SUPPORT**

POSITION NUMBER	PART NAME
1	ASSY URT CAB/1650 BUILT-IN
11	MIDDLE HINGE SCREW CAP (SMALL)
12	MIDDLE HINGE SCREW CAP (BIG)
25	SCREW 40*13 YSB-R-C-INOX
27	THERMOSTAT
29	THERMOSTAT KNOB
35	WIRING HARNESS/THERMOSTAT/1650
103	SEALING
108	INDICATOR LAMP LENS (RED)
109	INDICATOR LAMP LENS (GREEN)
110	INDICATOR LAMP LENS (ORANGE)
122	INDICATOR LAMP (RED) ANK
123	INDICATOR LAMP (GREEN) ANK
124	INDICATOR LAMP (ORANGE) ANK
205	SCREW ST 4.8*13 YSB-T-C
476	DOD PACKAGE GR/1700 ANK
477	TOP-HINGE REINFORCEMENT/1700
480	SCREW 4*17 YHB
481	SIDE COVER SEALING/1700 ANK(S.W.)
488	THERMOSTAT SHEET/1700
506	DOD HANG COVER/1700 ANK
507	DOD DOOR HANG/1700 ANK
508	DOD DOOR BOTTOM FIXING/1400 ANK
509	TOP HINGE DOD/1400 ANK
510	SCREW M5*14 YHB-F
511	BOTTOM HINGE DOD/1400 ANK
584	GRILL THERMOSTAT GR/1650
585	GRILL THERMOSTAT BOX/1650
586	GRILL COVER/1700

ABBREVIATIONS :

ASSY : ASSEMBLY
 URT : URETHANE
 CAB : CABINET

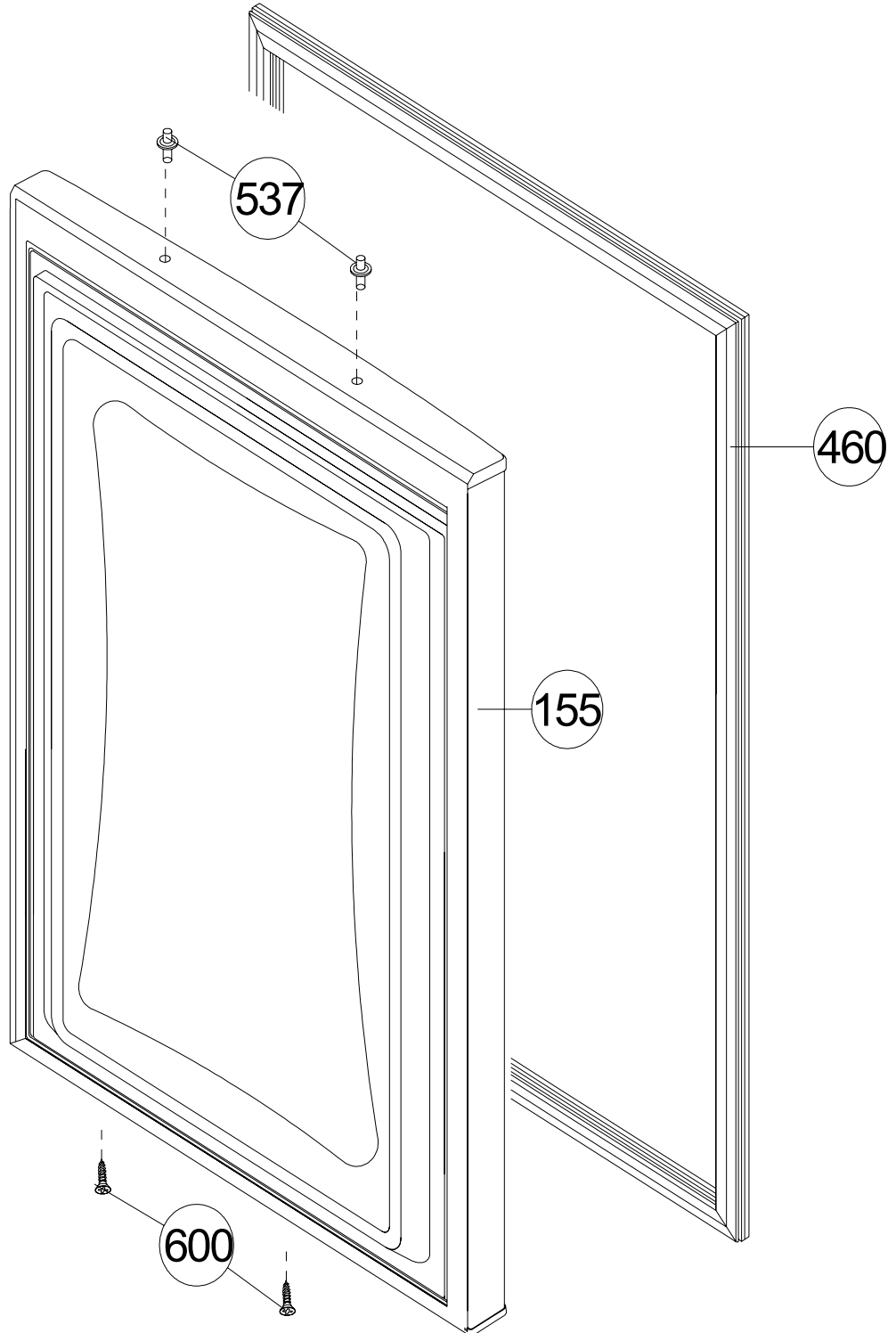
SEPTEMBER 2012



**BUILT IN FREEZER 1650****ACCESSORY PARTS LIST****CUSTOMER
SUPPORT**

POSITION NUMBER	PART NAME
17	ICE SCRAPER (<i>OPTIONAL</i>)
18	ICE TRAY (<i>OPTIONAL</i>)
25	SCREW 40*13 YSB-R-C-INOX
95	F EVAP TRIM/1650
96	F EVAPORATOR ASSY/1650 ANK (WOT)
206	CABLE HOLDER
587	BASKET/1650

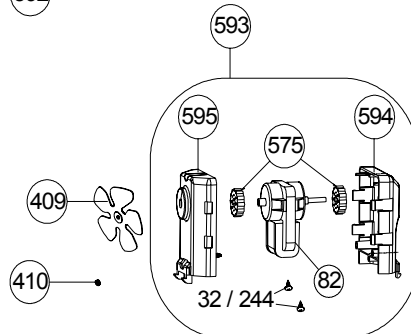
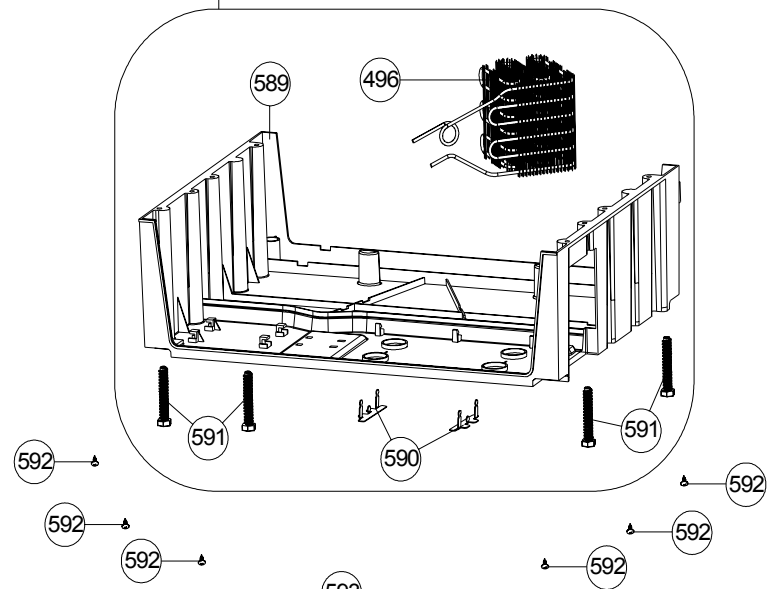
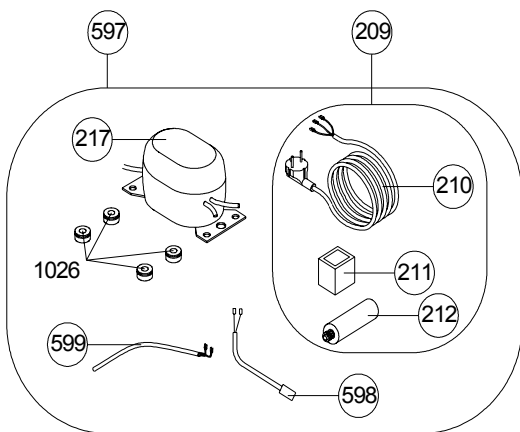
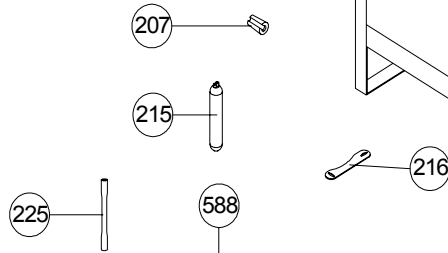
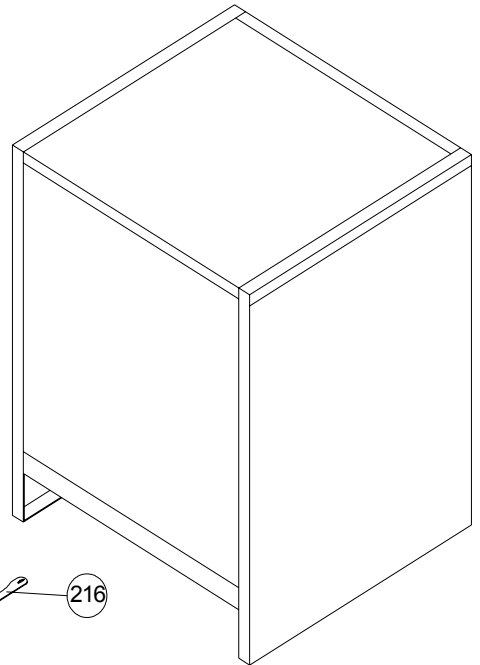
SEPTEMBER 2012



	BUILT IN FREEZER 1650	CUSTOMER SUPPORT
	DOOR ASSY. PARTS LIST	

POSITION NUMBER	PART NAME
155	DOOR ASSY/1650 ANK DOD CAP
460	GASKET/1700 ANK
537	SCREW GR/ ANK-DOD
600	SCREW M5*14 TYSB

SEPTEMBER 2012





BUILT IN FREEZER 1650

**CUSTOMER
SUPPORT**

UNIT PARTS LIST

POSITION NUMBER	PART NAME
82	FAN MOTOR ASSY
207	ANTIVIBRATION (CONDANSER)
209	POWER CORD GR.
210	POWER CORD
211	OVER LOAD RELAY
212	CAPACITOR <i>(OPTIONAL)</i>
215	DRYER
216	COMP FIXING BRACKET
217	COMPRESSOR
225	SERVICE TUBE
32 / 244	SCREW KA 40*18 YSB-C-INOX
409	PROPELLER
410	PROPELLER SPRING
496	MAIN CONDANSER/BGN1700
575	FAN MOTOR SEAL
588	PLASTIC BASEMENT GR
589	PLASTIC BASEMENT
590	COMP ASSY BRACKET
591	FOOT/1700
592	SCREW 4*26,5 RYSB
593	FAN MOTOR GR/1650
594	MOTOR FAN BOX FRONT/1650
595	MOTOR FAN BOX BACK/1650
597	COMP. GROUP/1650
598	WIRING HARNESS/FAN MOTOR/1700
599	COMPRESSOR CABLE
1026	COMPRESSOR RUBBER

SEPTEMBER 2012