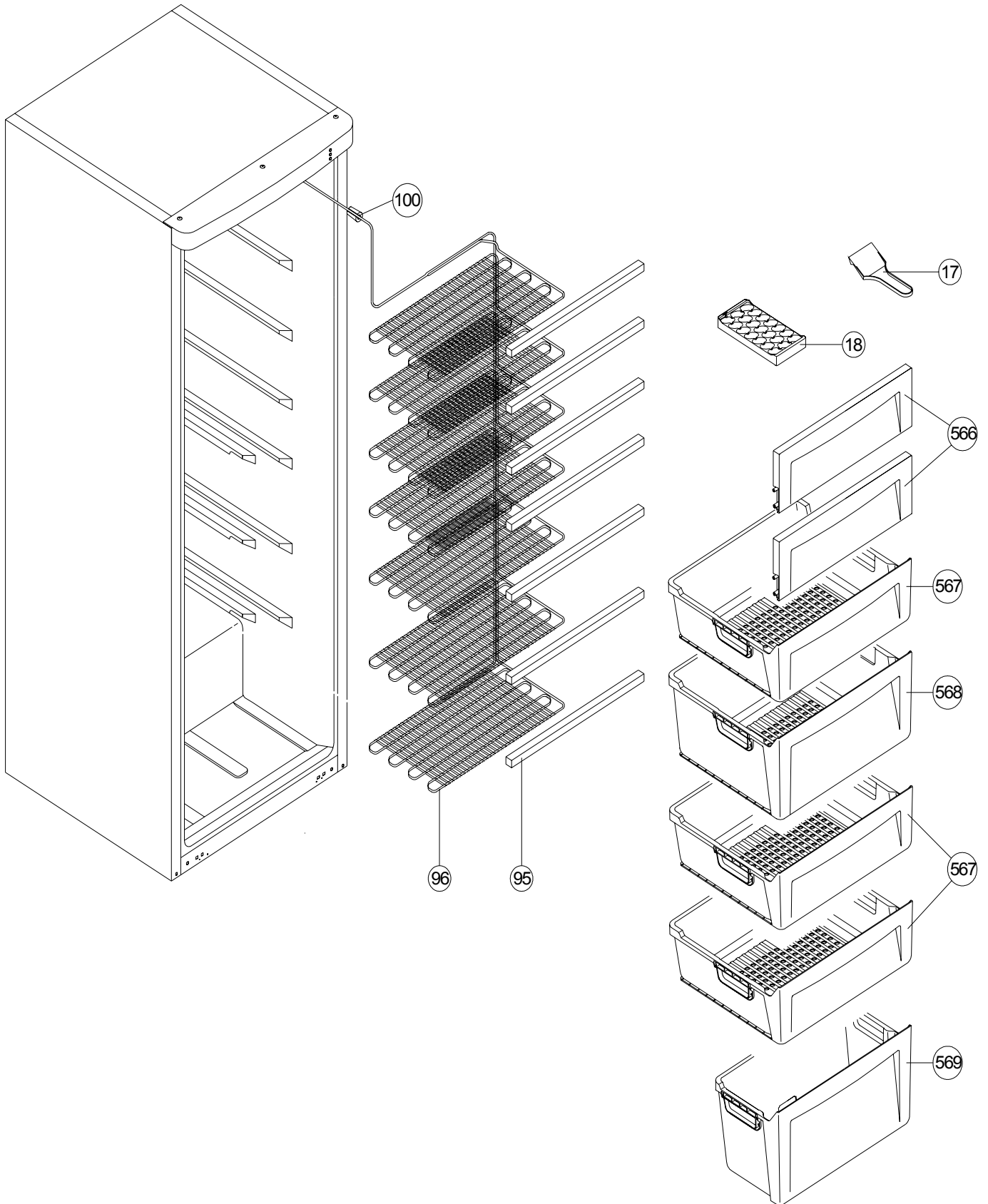


 WHITE GOODS	VESTEL FREEZER	CUSTOMER SUPPORT
	INTERIOR PARTS LIST	

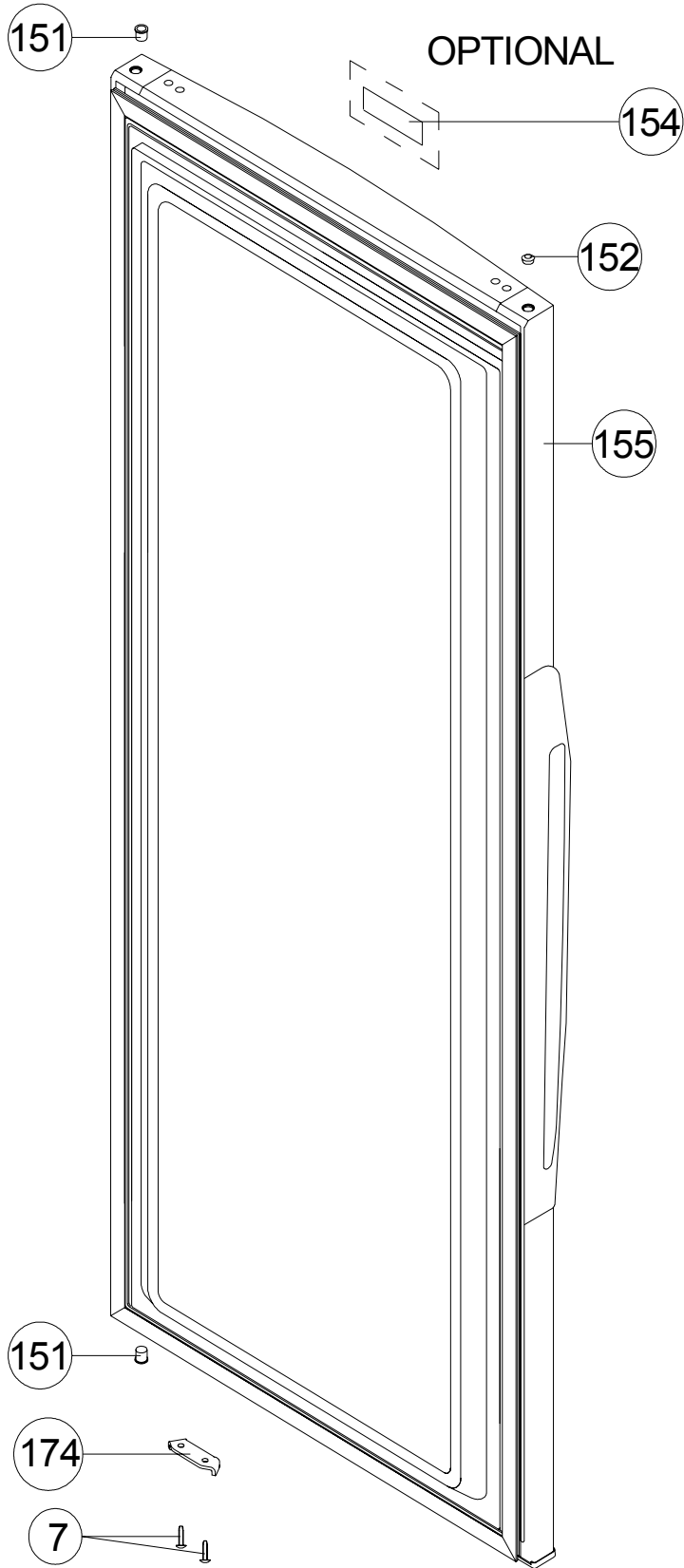
POSITION NUMBER	PART NAME
1	ASSY URT CAB/390
3	TOP HINGE/260 (WITH PIN)
4	TOP HINGE/260 (WITHOUT PIN)
6	HEAD PANEL/390
7	SCREW M5*14 WN 1342-H EJOT
8	SCREW 4.2*13 DIN 7981 YHB DYED
15	BOTTOM HINGE/345 GR
16	STATIONARY FOOT
25	SCREW PLS KA 40*13(INOX-S.UÇ)SUS 430
29	THERMOSTAT KNOB
35	WIRING HARNESS/THERMOSTAT/390
58	KICK PLATE HOLDER
59	SCREW 3.5*13 DIN 7981 YSB
60	KICK PLATE/345P
102	HEAD PANEL GR/390
103	HEAD PANEL SEAL
106	THERMOSTAT HOLDER
107	FRZ.THERMOSTAT
117	F COVER SUPPORT R/390
120	F COVER SUPPORT L/390
121	THERMO CAPI BRACKET/360
122	INDICATOR LAMP(WHITE)270kOHM-RED.CABLE
123	INDICATOR LAMP(GREEN)270kOHM-GREEN CABLE
124	INDICATOR LAMP(WHITE)270kOHM-ORANGE CABLE
136	HEAD PANEL CAP
492	LEXAN/390



 WHITE GOODS	VESTEL FREEZER	CUSTOMER SUPPORT
	ACCESSORY PARTS LIST	

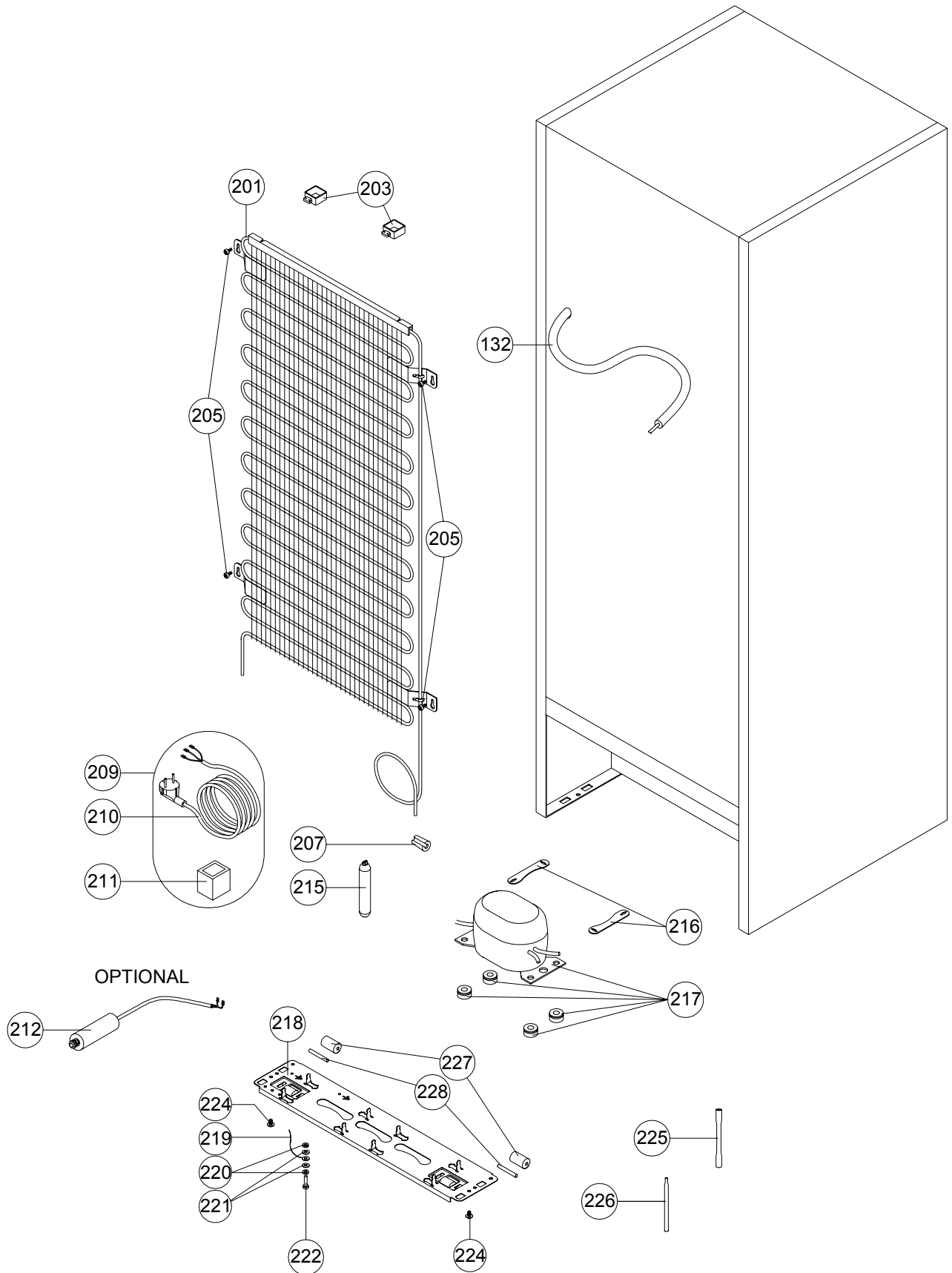
POSITION NUMBER	PART NAME
17	ICE SCRAPER
18	ICE TRAY
95	F EVAP TRIM/390
96	F EVAPORATOR ASSY/390
100	ANTIVIBRATION (HEAD EXCHANGER)
566	BIG COVER/391
567	SMALL BASKET/391
568	BIG BASKET/391
569	BOTTOM BASKET/391

VESTEL WHITE GOODS	VESTEL FREEZER	CUSTOMER SUPPORT
	DOOR ASSY. PARTS	



 WHITE GOODS	VESTEL FREEZER	CUSTOMER SUPPORT
	DOOR ASSY. PARTS LIST	

POSITION NUMBER	PART NAME
7	SCREW M5*14 WN 1342-H EJOT
151	BUSHING/345P
152	BUSHING CAP
154	LOGO
155	DOOR ASSY/391P
174	R BOTTOM STOPPER



 WHITE GOODS	VESTEL FREEZER	CUSTOMER SUPPORT
	UNIT PARTS LIST	

POSITION NUMBER	PART NAME
132	COVER TUBE/390
201	MAIN CONDANSER/260
203	SPACER
205	SCREW 4.8*13 DIN7981 TYSB W.O. WASHER
207	ANTIVIBRATION (CONDANSER)
209	POWER CORD GROUP
210	POWER CORD
211	OVER LOAD RELAY
212	CAPACITOR (<i>OPTIONAL</i>)
215	DRYER (XH9,10GR)
216	COMP FIXING BRACKET
217	COMPRESSOR
218	COMP BASEMENT/140
219	GROUNDING WIRE
220	NUT M4*3.2 DIN 934 ZNK
221	WASHER 4.3*8*0.9 DIN 6798 ZNK
222	SCREW M4*16 DIN 933 ZNK
224	SCREW KA 50*14 WN 1412 EJOT
225	SERVICE TUBE (105*6*0,7)
226	DRYER VACUUM TUBE
227	FRONT/BACK WHEEL
228	REAR WHELL PIN